

SERVICE MANUAL

NAD

SERVICE SAFETY PRECAUTIONS (UL)

1. Use exact replacement parts for critical locations marked "⚠"
2. Return lead dress to original position and re-install protective covers.
3. Before returning to customer, test for shock hazard; use either method A or B:

A. Leakage test "cold":

1. Unplug the AC cord; turn power switch ON.
2. Connect one lead of High Voltage Insulation Tester to both prongs of the AC plug.
3. Touch other lead to all exposed metal parts.
4. Impedance measurement must be 0.3-5.0 Megohms.

B. Leakage test, "live" :

1. Plug unit directly into the AC outlet: do not use isolation transformer.
2. Connect one lead of the Leakage Current Tester to earth ground.
3. Touch other lead to all exposed metal parts.
4. Leakage measurement must be less than 0.5 milliamps.

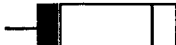
AV711

RECEIVER

AV711 RECEIVER

SERVICE SAFETY PRECAUTIONS

1. Replacing the fuses

 This symbol located near the fuse indicates that the fuse used is fast operating type. For continued protection against fire hazard, replace with same type fuse. For fuse rating refer to the marking adjacent to the symbol.

Circuit No.	Part No.	Description
F901	5732-01101502	Fuse, 5A 125V/250V <AH>
	5732-01601252	Fuse, T2.5AL 125V/250V <C><B1>
F902	5732-01101202	Fuse, 2A 125V/250V <AH>
	5732-01601122	Fuse, T1.25A, 125V/250V <C><B1>
F903,F904	5732-01101802	Fuse, 8A 125V/250V <AH>
	5732-01601632	Fuse, T6.3AL 125V/250V <C><B1>

NOTE: <AH>: U.S.A., Canadian model only
: U.K. model only
<B1>: Australian model only
<C>: European model only

2. Memory preservation

This unit does not require memory preservation batteries. A built-in memory power back-up system preserves contents of the memory during power failures and even when the unit is unplugged. The unit must be plugged in and the power switch turned on and off once in order to charge the back-up system. Note that since this is not a permanent memory the power switch must be turned on and off a few times each month to keep the back-up system operative. The period of time during which memory contents are preserved after power has last been turned off varies depending on climate and placement of the unit. On average, memory contents are protected over a period of 3 to 4 weeks (a minimum of 2 weeks) after the last time power has been turned off. This period is shorter when the unit is exposed to very high humidity or used in an area with an extremely humid climate.

3. Safety-check out

(Only U.S.A. model)

After correcting the original service problem perform the following safety check before releasing the set to the customer.

Connect the insulating-resistance tester between the plug of power supply cord and the screw on the back panel.

Specifications : 3.3 Mohm \pm 10% at 500V.

TABLE OF CONTENTS

Service Safety Precautions	2
Table of Contents	3
Specifications	3
Exploded View	4
Exploded View Parts List	5
Front Panel Controls /Rear Panel Connections	6
Block Diagram	7
Microprocessor Connection Diagram	8
Microprocessor Descriptions	9
IC Block Diagram and Descriptions	10
Adjustment Procedures	16
Printed Circuit Board View	19
Schematic Diagrams	26
Wiring Diagram	22
Electrical Parts List	23
Packing View /Packing View Parts List	32
Notes	32

SPECIFICATIONS

POWER AMPLIFIER SECTION

Power Output into 8 Ω	
Stereo Mode	40 W
(Min. power per channel, 20Hz - 20kHz, both channels driven, with no more than rated distortion)	
Front L/R and Center Channels	40W
Rear Channels	20W + 20W
Dynamic power output (Front) 8 ohms:	60W
4 ohms:	90W
Continuous Power output 8 ohms:	40W
4 ohms:	40W
THD 20Hz - 20kHz	0.08 % (Front)
IM distortion	0.08% (Front)
Damping factor	60 at 8 Ω (Front)
Input sensitivity and Impedance	
Line:	150 mV, 47 k ohms
Video:	1Vp-p, 75 ohms
Output level and Impedance	
Subwoofer:	1V, 2.2k ohms
Video:	1Vp-p, 75 ohms
Frequency response 5Hz to 50kHz	\pm 0.8dB
Tone control	Bass: \pm 8dB at 100Hz
Treble:	\pm 8dB at 10kHz
Signal/Noise ratio, A weighted	
CD/Tape:	95 dB
Muting:	-60 dB

FM TUNER SECTION

Usable Sensitivity	Mono:	13.5 dBf, 1.3 μ V
75 ohms IHF		
50dB Quieting Sensitivity	Mono:	18.2 dBf, 2.2 μ V
75 Ω	Stereo:	38.2 dBf, 22 μ V

Capture ratio		2.0 dB
Signal to Noise Ratio (IHF)	Mono:	73 dB
	Stereo:	67 dB
Alternate channel attenuation	Mono:	55 dB (IHF)
Selectivity DIN \pm 300kHz, 40kHz Devi.		50 dB
AM Suppression ratio		50 dB
THD	Mono:	0.2%
	Stereo:	0.4%
Frequency Response 30-15kHz		\pm 1.5dB
Stereo Separation		45 dB at 1kHz
		30 dB at 100-10kHz

AM TUNER SECTION

Usable Sensitivity	30 μ V
Image rejection ratio	40 dB
IF rejection ratio	40 dB
Signal to Noise ratio (IHF)	40 dB
THD	0.7%

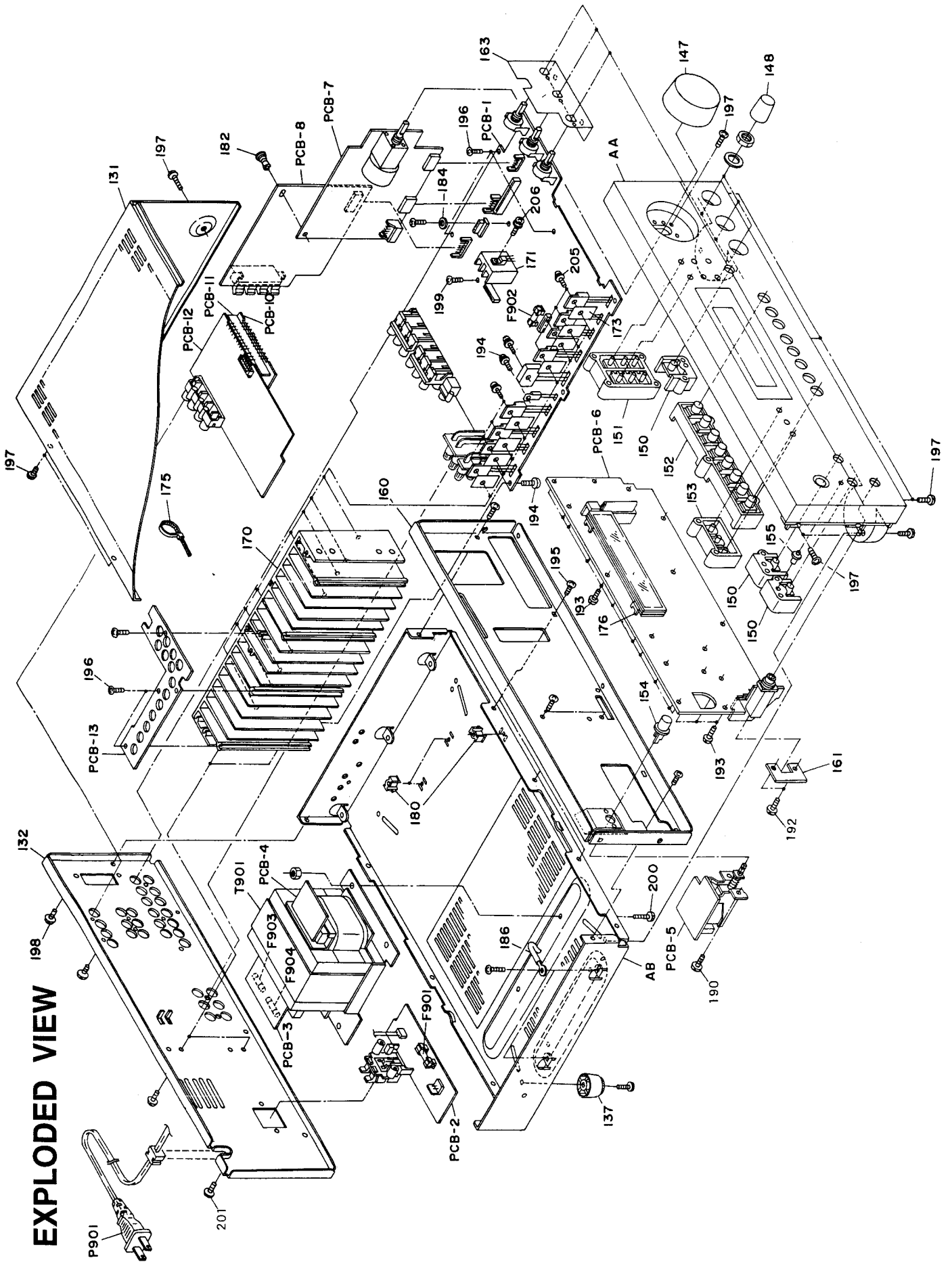
REMOTE CONTROL

Power, Master Volume Up/Down, Mute, Sleep, Surround Mode, Delay Time, Test Tone, Center Volume Up/Down, Rear Volume Up/Down, Input Selector (CD, Aux, Tuner, Tape 1, Tape 2, Video 1, Video 2)
Deck A/B: (Play, Reverse Play, Stop, Record/Pause, Fast Forward, Rewind)
CD: (Play, Pause, Stop, Disc, Skip Forward/Back)
Tuner: (Bank, Preset Up/Down)

PHYSICAL SPECIFICATION

Dimensions in mm (W x H x D)	435 x 147 x 331
Net weight	8.4 kg (18 lbs. 8 oz.)
Shipping weight	10.1 kg (22 lbs. 4 oz.)

EXPLODED VIEW



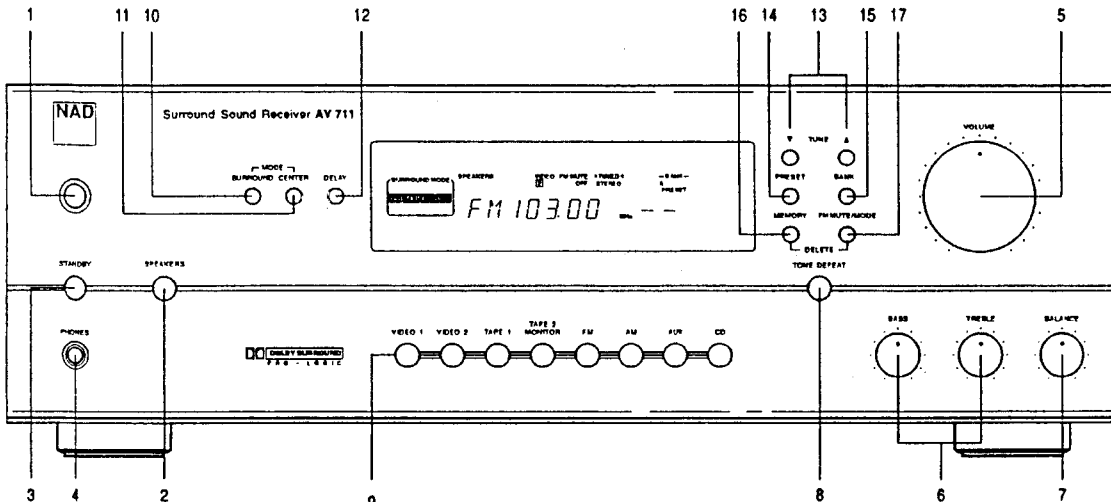
EXPLODED VIEW PARTS LIST

REF. NO.	PART NO.	DESCRIPTION	REF. NO.	PART NO.	DESCRIPTION
AA	A442-AV711A	Front Panel Assy	▲ P901*AH	4161-09401202	AC Cord w/Plug <AH>
AB	A424-AV711A	Cabinet Bottom Assy	▲ P901*CB	4161-10201202	AC Cord w/Plug <C>
131	1414-18202	Cabinet Top Cover	▲ P901*B1	4161-12301202	AC Cord w/Plug <B1>
132*AH	1424-39303	Cabinet Rear <AH>	▲ T901*AH	5584-T6302	Transformer, Power <AH>
132*CB	1424-39304	Cabinet Rear <C><B1>	▲ T901*CB	5584-T6301	Transformer, Power <C><B1>
137	1319-05801	Leg, base (x2)	PCB-1*AH	D551-AV711A	Main Circuit P.C. Board <AH>
147	1632-22801	Knob, Volume	PCB-1*C	D551-AV711AA	Main Circuit P.C. Board <C>
148	1632-22702	Knob, Balance, Bass, Treble (x3)	PCB-1*B	D551-AV711AB	Main Circuit P.C. Board
150	1662-75701	Push Button, Standby, Speaker, Tone Defeat (x3)	PCB-1*B1	D551-AV711AC	Main Circuit P.C. Board <B1>
151	1662-75801	Push Button, Tune	PCB-2*AH	D551-AV711B	Power Supply P.C. Board <AH>
152	1662-75901	Push Button, Function	PCB-2*B	D551-AV711BA	Power Supply P.C. Board
153	1662-76001	Push Button, Mode	PCB-2*B1	D551-AV711BB	Power Supply P.C. Board <B1>
154	1662-76101	Push Button, Power	PCB-3*AH	D551-AV711C	Secondary P.C. Board <AH>
155	1732-11001	Indicator, Power	PCB-3*C	D551-AV711CA	Secondary P.C. Board <C>
160	2211-384	Front Panel Chassis	PCB-3*B	D551-AV711CB	Secondary P.C. Board
161	2219-8417	Bracket, H/P	PCB-3*B1	D551-AV711CC	Secondary P.C. Board <B1>
163	2216-565	Shield Plate, Tone VR	PCB-4	D551-AV711D	Primary P.C. Board
170	2222-360	Heat Sink, Main Amp.	PCB-5	D551-AV711E	Power Switch P.C. Board
171	2222-7217	Heat Sink, Tr	PCB-6*AH	D551-AV711F	Front Circuit P.C. Board <AH>
173	2224-7134	Insulator (x8)	PCB-6*C	D551-AV711FA	Front Circuit P.C. Board <C>
175	2240-R0101	Cable ties (x6)	PCB-6*B	D551-AV711FB	Front Circuit P.C. Board
176	2240-7370	Holder, FL Q702(x2)	PCB-6*B1	D551-AV711FC	Front Circuit P.C. Board <B1>
180	2360-008	Special Boss, Bottom (x3)	PCB-7	D551-AV711G	VR/Surround P.C. Board
182	2459-3004511	Plastic Rivet	PCB-8*AH	D551-AV711H	Tuner Circuit P.C. Board <AH>
184	2401-032	Metal Washer, GND	PCB-8*C	D551-AV711HA	Tuner Circuit P.C. Board <C>
186	2218-R0230	Holding Bracket (x2)	PCB-8*B	D551-AV711HB	Tuner Circuit P.C. Board
190	2327-R0130064	Screw (+) (3x6 mm) (x2)	PCB-8*B1	D551-AV711HC	Tuner Circuit P.C. Board <B1>
192	2347-R0126082	Self-Tapping Screw (+) (2.6x8 mm) (x2)	PCB-9	D551-AV711J	Headphones P.C. Board
193	2347-R0126122	Self-Tapping Screw (+) (2.6x12 mm) (x18)	PCB-10	D551-10055020	Video-Audio Circuit P.C. Board
194	2347-R0130062	Self-Tapping Screw (+) (3x6 mm) (x4)	PCB-11	4551-10055020	Connecting P.C. Board (bare P.C.B.)
195	2347-R0130062	Self-Tapping Screw (+) (3x6 mm) (x6)	PCB-12	D551-AV711M	Video Circuit P.C. Board
196	2347-R0130062	Self-Tapping Screw (+) (3x6 mm) (x19)	PCB-13	4551-10055040	Wire P.C. Board (bare P.C.B.)
197	2347-R0130102	Self-Tapping Screw (+) (3x10 mm) (x20)			
198	2347-R0130142	Self-Tapping Screw (+) (3x14 mm) (x3)			
199	2347-R0140082	Self-Tapping Screw (+) (4x8 mm) (x4)			
200	2347-R0130064	Self-Tapping Screw (+) (3x6 mm) (x3)			
201	2347-R0130064	Screw (+) (3x14 mm) (x9)			
205	2557-F301426	Screw (+) (3x12 mm)			
206	2557-301229	Screw (+) (3x12 mm)			

NOTE: <AH> : U.S.A., Canadian model only
 : U.K. model only
 <B1> : Australian model only
 <C> : European model only

WARNING: TO PREVENT FIRE OR ELECTRIC SHOCK, DO NOT EXPOSE THIS APPLIANCE TO RAIN OR MOISTURE

FRONT PANEL CONTROLS



- | | | |
|----------------|-------------------|------------------|
| 1. POWER | 9. BALANCE | 13. TUNE ▲AND▼ |
| 2. SPEAKERS | 8. TONE DEFEAT | 14. PRESET |
| 3. STANDBY | 9. FUNCTIONS | 15. BANK |
| 4. PHONES | 10. SURROUND MODE | 16. MEMORY |
| 5. VOLUME | 11. CENTER MODE | 17. FM MUTE/MODE |
| 6. BASS/TREBLE | 12. DELAY | |

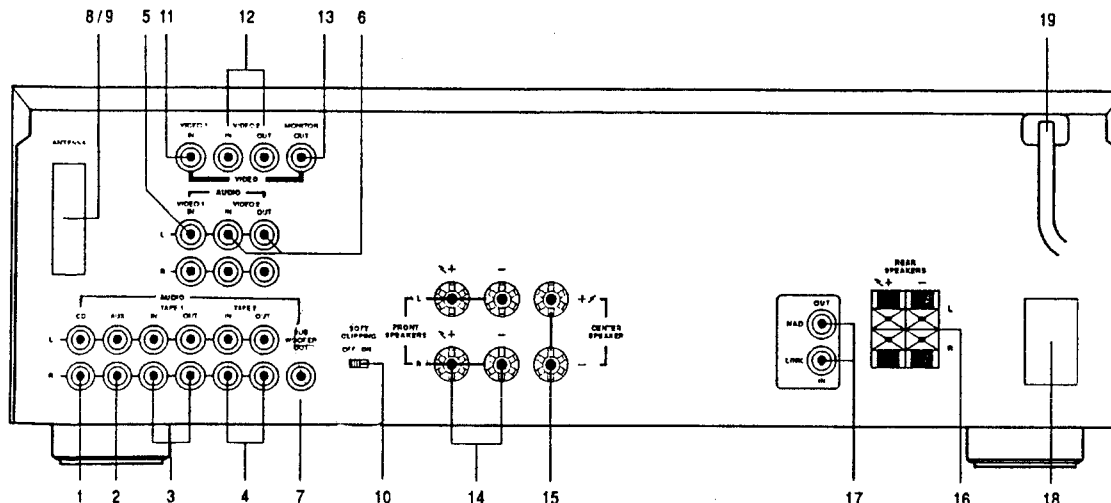


The lightning flash with arrowhead, within an equilateral triangle is intended to alert the user of the presence of un-insulated "dangerous voltage" within the product's enclosure; that may be of sufficient magnitude to constitute a risk of electric shock to persons.



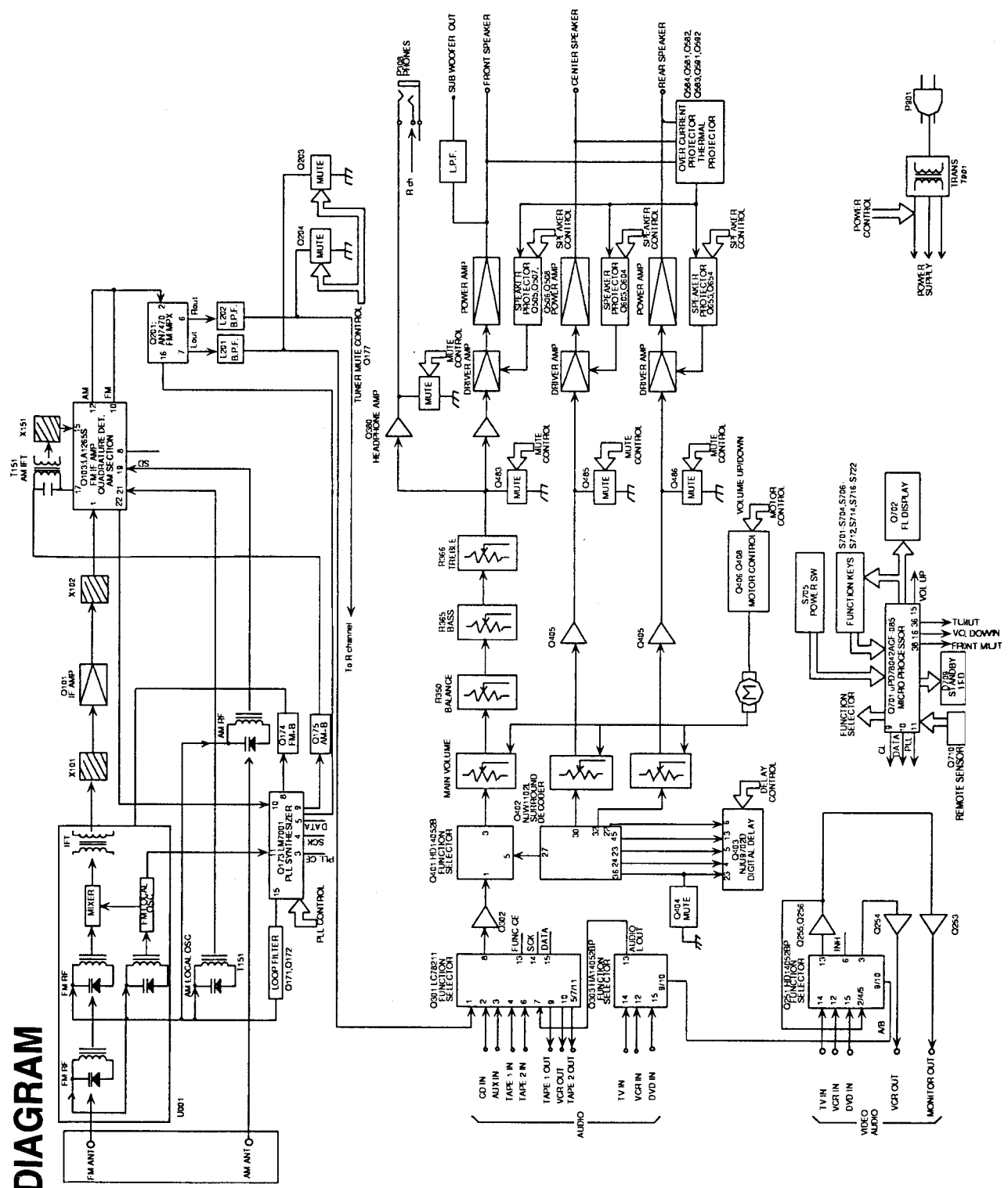
The exclamation point within an equilateral triangle is intended to alert the user of the presence of important operating and maintenance (servicing) instructions in the literature accompanying the appliance.

REAR PANEL CONNECTIONS

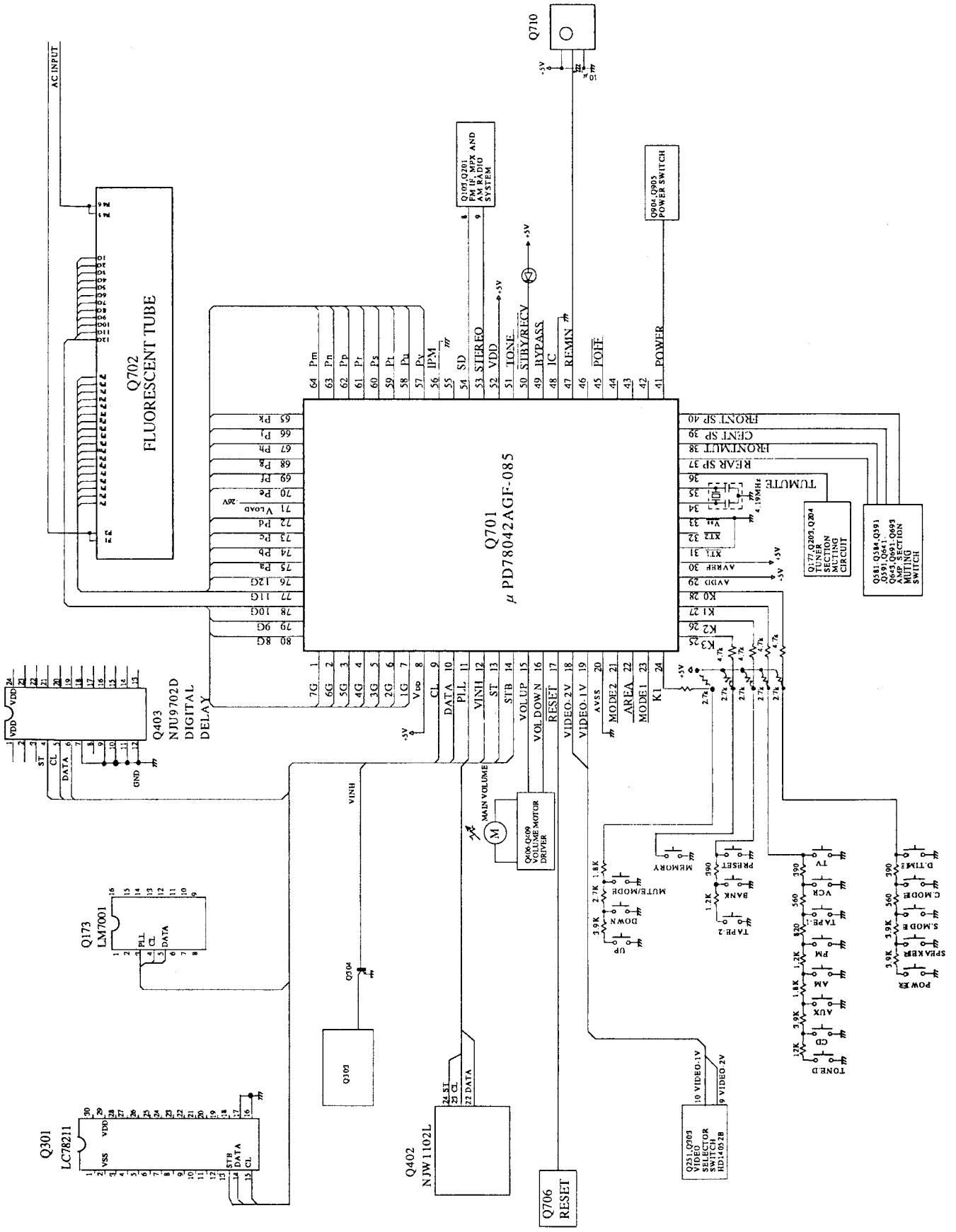


- | | | |
|---------------------------|----------------------------|---|
| 1. CD INPUT | 8. AM ANTENNA | 15. CENTER SPEAKER |
| 2. AUX INPUT | 9. FM ANTENNA | 16. REAR SPEAKERS |
| 3. TAPE 1 IN/OUT | 10. SOFT CLIPPING | 17. NAD-LINK IN OUT |
| 4. TAPE 2 IN/OUT | 11. VIDEO 1 IN (VIDEO) | 18. AC OUTLETS (US & CANADA VERSION ONLY) |
| 5. VIDEO 1 IN (AUDIO) | 12. VIDEO 2 IN/OUT (VIDEO) | 19. AC POWER CORD CONNECTOR |
| 6. VIDEO 2 IN/OUT (AUDIO) | 13. MONITOR OUT | |
| 7. SUB WOOFER OUT | 14. FRONT SPEAKERS | |

BLOCK DIAGRAM



MICROPROCESSOR CONNECTION DIAGRAM



MICROPROCESSOR DESCRIPTIONS

Q701 : μ PD78042AGF-085

Pin No.	Function	I/O	Description
1~7	7G~1G	O	Grid control output pin. On at the high level.
8	VDD		Power supply pin (+5V)
9	CL	O	Clock output pin. Connects to the terminals CK of function switch Q301, Dolby Pro Logic Decoder Q402 and digital delay Q403.
10	DATA	O	Data output pin. Connects to the terminals DATA of function switch Q301, Dolby Pro Logic Decoder Q402 and digital delay Q403.
11	PLL	O	Chip enable output pin for PLL IC Q173.
12	DINH	O	Chip enable output pin for Q459.
13	ST	O	Chip enable output pin. Connects to the terminals ST of Dolby Pro Logic Decoder Q402 and digital delay Q403.
14	STB	O	Chip enable output pin for Q301 pin 13.
15	VOLUP	O	Volume control output pin. Volume up
16	VOLDOWN	O	Volume control output pin. Volume down (Refer table 1.)
17	RESIT	I	System reset input pin
18	VIDEO-2V	O	Video input selector output pin.
19	VIDEO-1V	O	Video input selector output pin.
20	AVSS		Ground pin of A/D converter
21	MODE2	I	Initializing input of operation mode
22	AREA	I	Initializing input of area region
23	MODE1	I	Initializing input of operation mode
24	K4	I	Operation key connection pin
25	K3	I	Operation key connection pin
26	K2	I	Operation key connection pin
27	K1	I	Operation key connection pin
28	K0	I	Operation key connection pin
29	AVDD		Analogue power supply of A/D converter
30	AVREF		Reference voltage input pin of A/D converter
31	XT1	I	Crystal connection pin for sub system clock resonator
32	XT2	-	Not used.
33	VSS		Ground pin
34	X1	I	Resonator connection terminal for main system clock
35	X2	-	Connect the ceramic resonator 4.19MHz.
36	TUMUT	O	Muting output pin for tuner section.
37	REAR SP	O	Relay control pin for rear speaker.
38	FRONT MUT	O	Muting output pin for amplifier section
39	CENT SP	O	Relay control pin for center speaker.
40	FRNTSP	O	Relay control pin for front speaker
41	PW	O	Power source control output pin
42	NADOUT		Not used
43	NC		Not used
44	NC		Not used
45	POFF	I	Power stoppage detector input pin
46	NADIN		Not used
47	REMIN	I	Remote control signal input pin
48	IC		Internal connection pin. Connect to the ground terminal.
49	BY PASS	I	Detector input pin of protection circuit. H:On
50	STBY/RECV	O	Stand-by and received indicator output pin
51	TONED		Not used
52	VDD		Power supply pin (+5V)
53	STEREO	I	Detector input pin of FM stereo broadcast
54	SD	I	Detector input pin of broadcast more than muting level
55	NC		Not used
56	IPM	I	RF mode input pin. Local at low level.
57~70	Pv-Pe	O	Segment output pins. On at the high level.
71	VLOAD	I	Pull-down resistor connection pin of controller and driver of FL.
72~75	Pd~Pa	O	Segment output pins. On at the high level.
76~80	12G~8G	O	Grid control output pins. On at the high level.

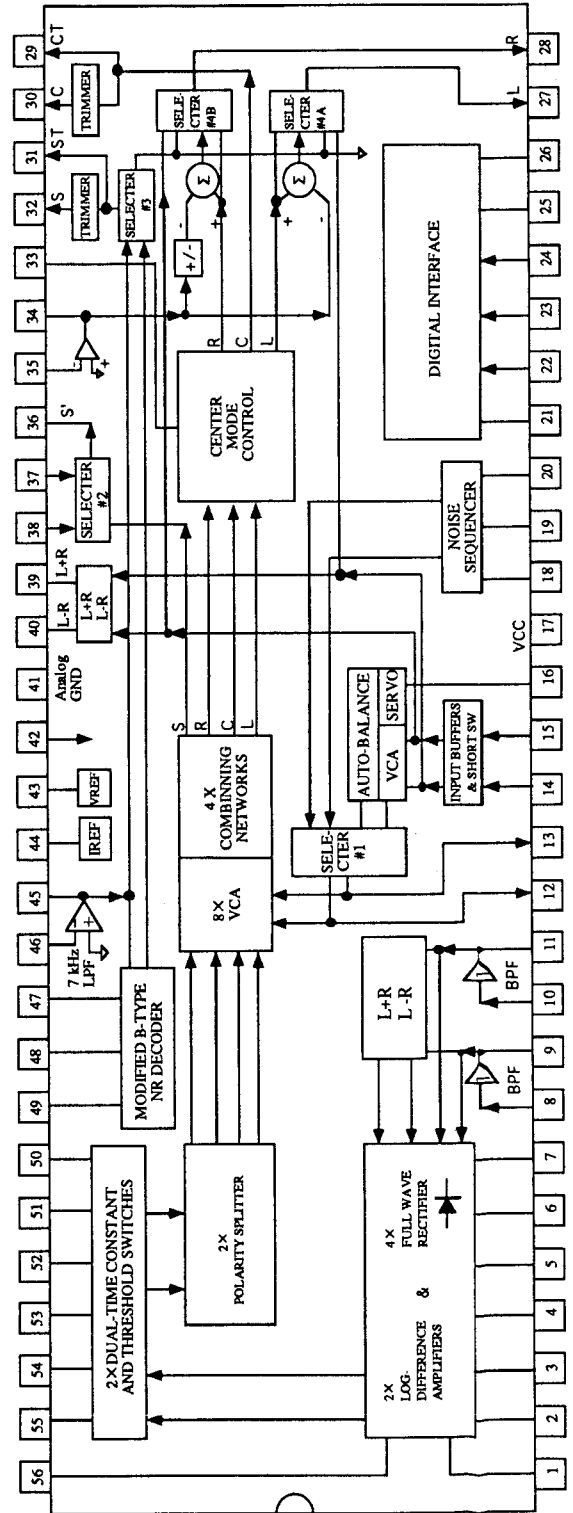
Operation	#15	#16
VOLUME UP	H	L
VOLUME DOWN	L	H
STOP	H	H

Table 1

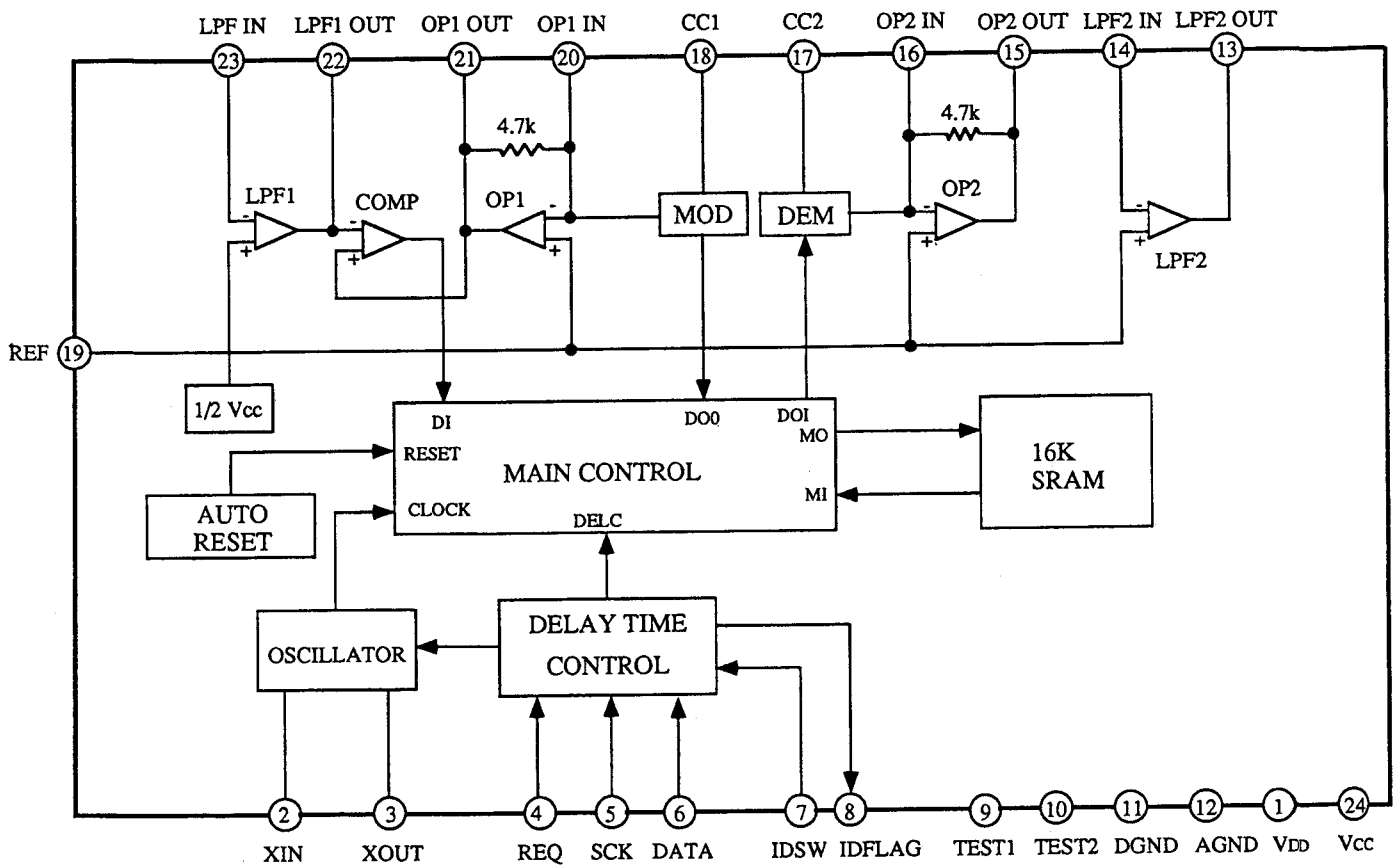
IC BLOCK DIAGRAMS AND DESCRIPTIONS

Q402 : NJW1102L (Dolby Pro Logic)

CT 29	28 R OUT
COUT 30	27 L OUT
ST 31	26 VSS
SOUT 32	25 IDS
CMC 33	24 REQ
CMRO 34	23 SCK
CMRI 35	22 DATA
SD 36	21 VDD
SIMB 37	20 NGC1
SIMA 38	19 NGC2
L+R 39	18 NGC3
L-R 40	17 VCC
GND 41	16 HOLDC
VREF 42	15 R IN
VREFG 43	14 L IN
IREF 44	13 RT
DBIN 45	12 LT
LPIN 46	11 RBPF
DBC1 47	10 RLI
DBC2 48	9 LBPF
DBC3 49	8 LLI
PSC3 50	7 RLC6
PSC6 51	6 RLC8
PSC2 52	5 RLC3
PSC5 53	4 RLC7
PSC1 54	3 RLC4
PSC4 55	2 RLC1
RLC5 56	1 RLC2

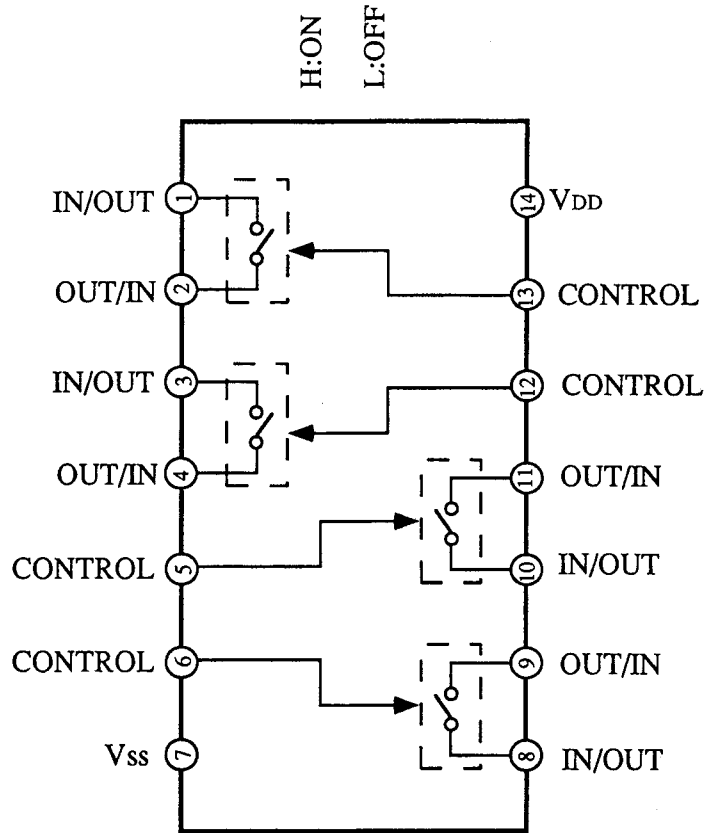


Q403 : NJU9702D (Digital Delay)



Pin No.	Mark	Function	I/O	Description
1	VDD	Digital power supply	-	
2	XIN	Resonator input	I	Connect the 2MHz ceramic resonator
3	XOUT	Resonator output	O	
4	REQ	Request	I	Data request input
5	SCK	Shift lock	I	Serial data shift clock input
6	DATA	Data	I	Serial data input
7	IDSW	ID switch	I	External input of 4th bit of ID code
8	IDFLAG	ID flag	O	Not used
9	TEST1	Test 1	-	Normal mode when low level
10	TEST2	Test 2	-	Normal mode when low level
11	D GND	Digital ground	-	
12	A GND	Analog ground	-	
13	LPF2 OUT	LPF filter 2 output	O	
14	LPF2 IN	LPF filter 2 input	I	
15	OP2 OUT	Operation amp. 2 output	O	
16	OP2 IN	Operation amp. 2 input	I	
17	CC2	Current control 2	-	Demodulation ADM control
18	CC1	Current control 1	-	Modulation ADM control
19	REF	Reference	-	Analog reference voltage = 1/2VCC
20	OP1 IN	Operation amp. 1 input	I	
21	OP1 OUT	Operation amp. 1 output	O	
22	LPF1 OUT	LPF filter 1 output	O	
23	LPF1 IN	LPF filter 1 input	I	
24	VCC	Analog power supply	-	

Q251, Q303 HD14052B (Analog Switch)

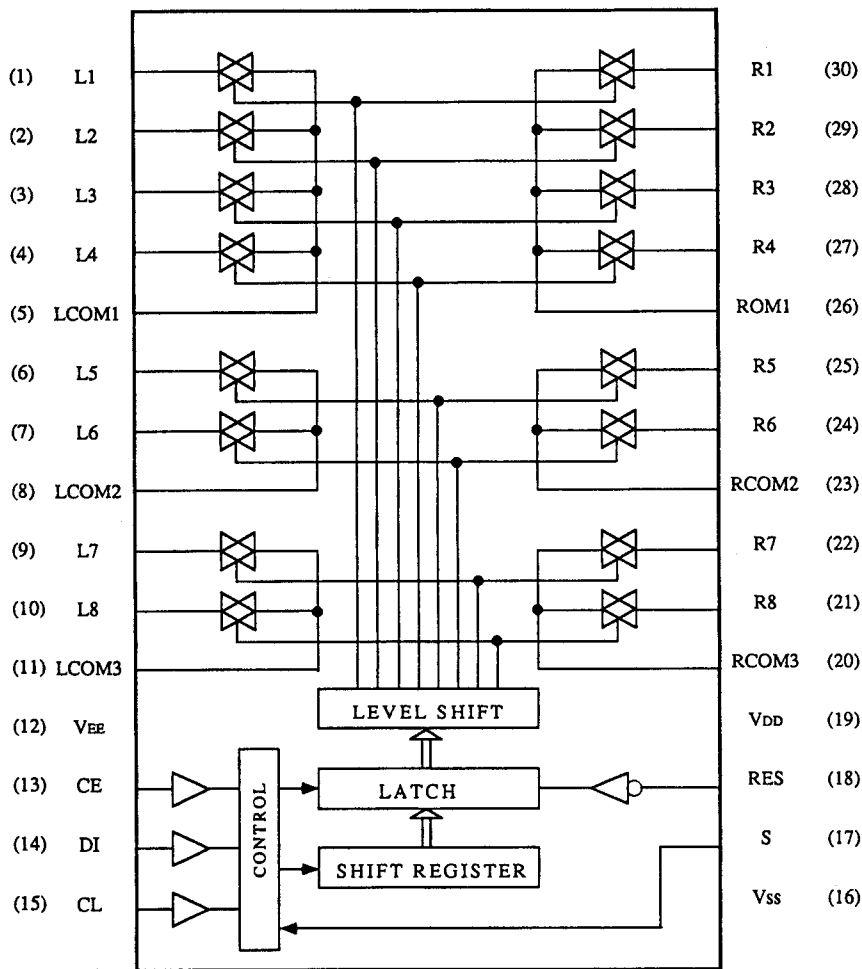


Q251, Q303 : HD14052B

Pin No.	Terminal	Description
1	Y0	Input/output terminals of audio signal of right channel.
2	Y2	
3	Y	
4	Y1	
5	VCR1	Control to the inside analogue switch at the terminals "A" & "B".
6	INHIBIT	
7	VEE	Selector of active or inactive.(L)
8	VSS	Negative power supply terminal.(-12V)
9	B	Ground terminal.
10	A	
11	X	Input/output terminals of audio signal of left channel.
12	X	
13	X	Control to the inside analogue switch at the terminals "A" & "B".
14	X	
15	X	
16	VDD	Power supply terminal.(+12V)

A	B	VIDEO SOURCE OUT
L	L	None
H	L	VCR1
L	H	VCR2/LD
H	H	DSS

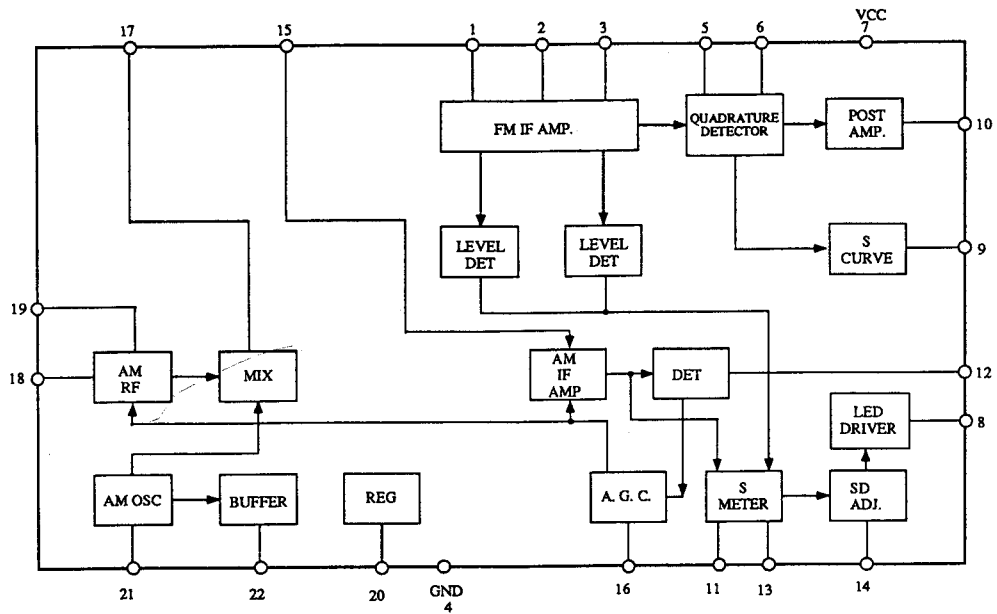
Q301 : LC78211 (Analog Switch)



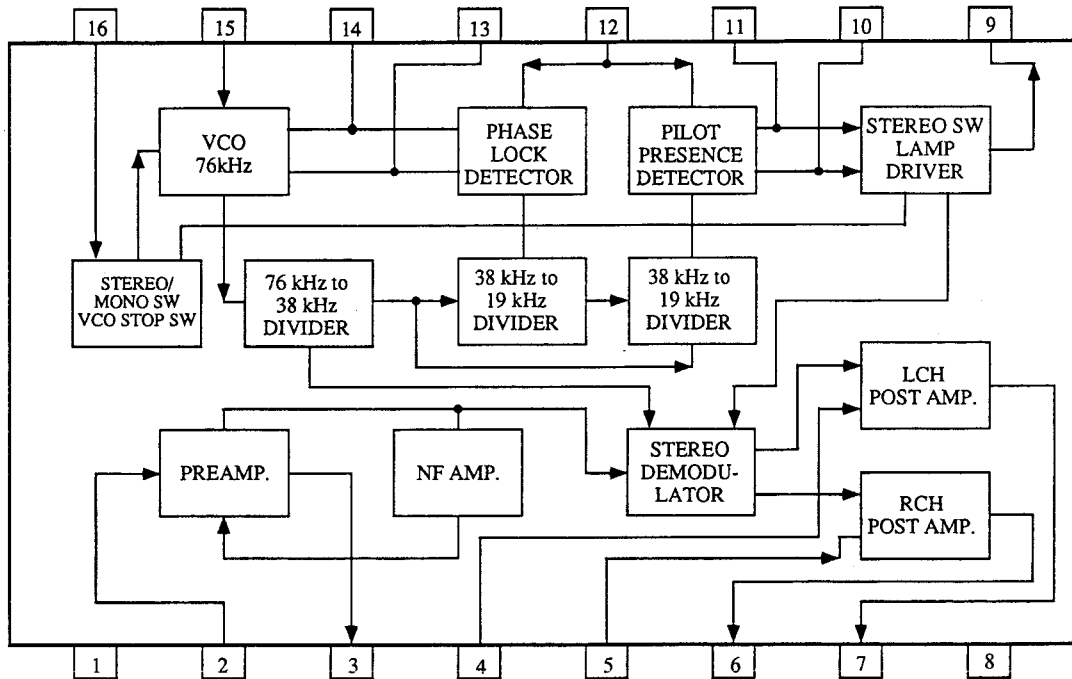
Q301: LC78211

Pin No.	Terminal	Description	Pin No.	Terminal	Description
1	L1	Input/output terminals of multi source of left channel. Control the analogue switch at the serial data.	16	VSS	Ground terminal
2	L2		17	S	Selector terminal
3	L3		18	RES	Reset terminal. When power is turned on, the condition of the analogue switch is not determined, but when this terminal is "L", all analogue switches are off.
4	L4		19	VDD	Power supply terminal (+15V)
5	LCOM1		20	RCOM3	Input/output terminals of audio signal of right channel.
6	L5	Input/output terminals of TAPE-2 signal of left channel. Control the analogue switch at the serial data.	21	R8	Control the analogue switch at the serial data.
7	L6		22	R7	
8	LCOM2		23	RCOM2	
9	L7	Input/output terminals of audio signal of left channel. Control the analogue switch at the serial data.	24	R6	Control the analogue switch at the serial data.
10	L8		25	R5	
11	LCOM3		26	RCOM1	
12	VEE	Negative power supply terminal (-15V)	27	R4	Control the analogue switch at the serial data.
13	CE	Chip enable terminal. Connect to the terminal FUNC of the microprocessor.	28	R3	
14	DI	Serial data input terminal. Connect to the terminal DATA of the microprocessor.	29	R2	
15	CL	Serial clock input terminal. Connect to the terminal CL of the microprocessor.	30	R1	

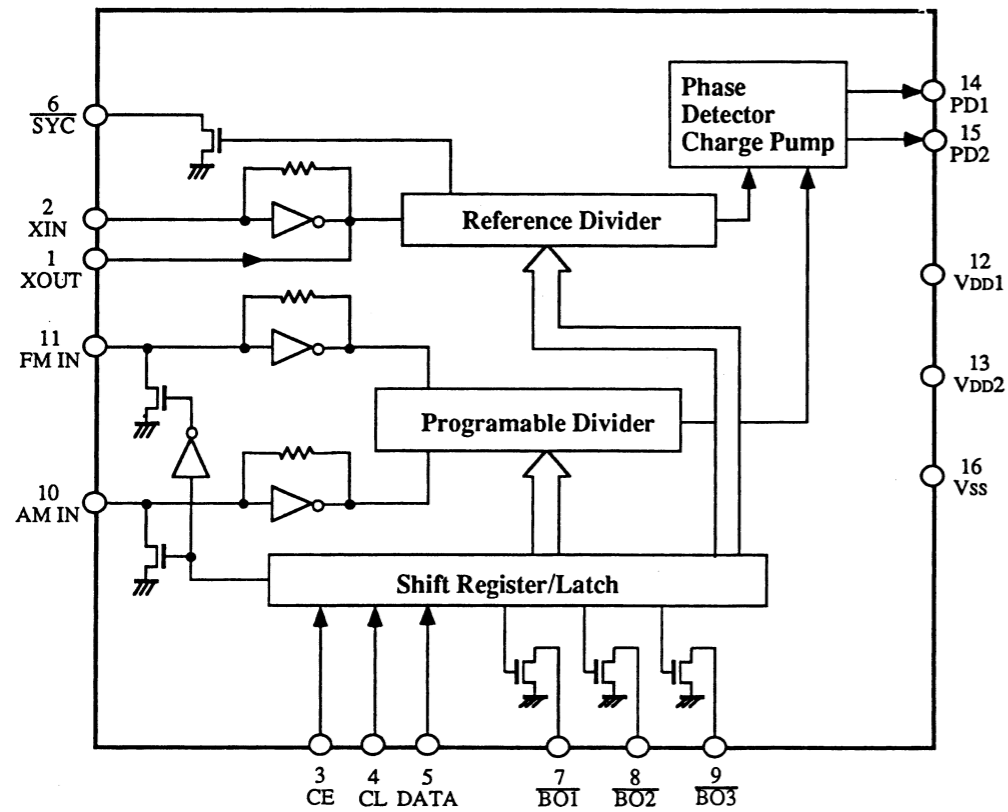
Q103 : LA1265S (AM, FM IF)



Q201 : AN7470 (FM MPX)



Q173 : LM7001 (PLL Frequency Synthesized LSI)



Pin No.	Terminal	Description
1	XOUT	Connect the 7.2MHz crystal resonator.
2	XIN	
3	CE	Chip enable terminal. Connect to the terminal PLL CE of microprocessor.
4	CL	Serial clock input terminal. Connect to the terminal PLL CL of microprocessor.
5	DATA	Serial data input terminal. Connect to the terminal PLL DATA of microprocessor.
6	SYC	Not used.
7	BO1	This is the output terminal for AUTO/MONO. 'L' when AUTO.
8	BO2	Band selector output terminal.
9	BO3	Band selector output terminal.
10	AMIN	AM local oscillator input terminal.
11	FMIN	FM local oscillator input terminal.
12	VDD1	Power source terminal for back-up.
13	VDD2	Power source terminal.
14	PD1	Not used.
15	PD2	Phase comparator output terminal
16	Vss	Ground terminal

ADJUSTMENT PROCEDURES

Preparation

1. Input

- FM mono: 1 kHz, 75 kHz devi., 60 dB/μV
- FM stereo: 1 kHz, 67.5 kHz devi., 60 dB/μV
- Pilot signal :19 kHz (L+R=46%, L-R=46% 19kHz=8%), 75 kHz devi.
- AM : 400Hz ,30% mod.

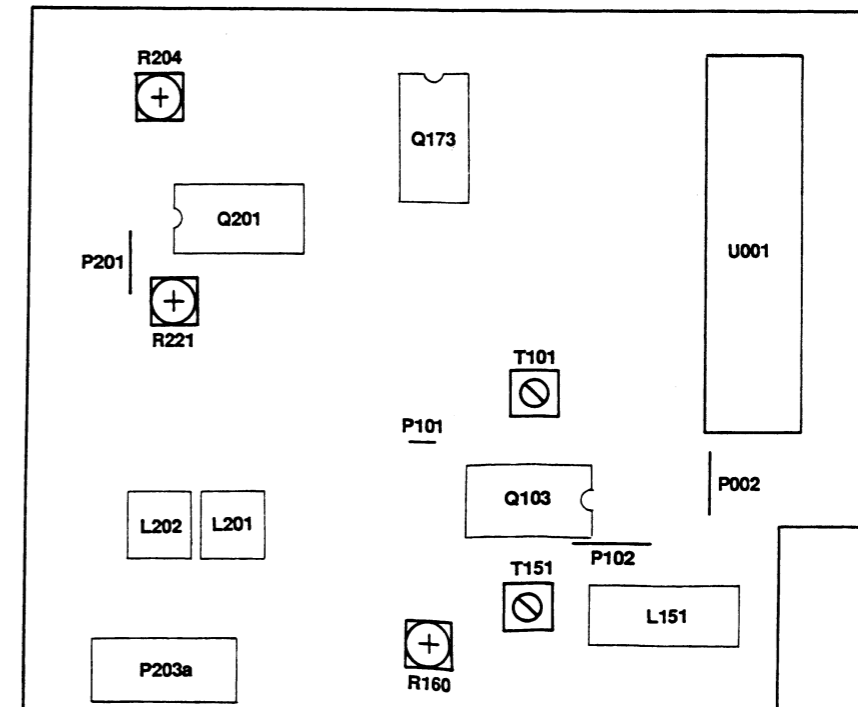
2. Outputs

Connect non-inductive type resistors of 6 ohms to the speaker terminals A unless otherwise noted.

3. Standard Knob Positions

- Volume Control Minimum
- Bass Control Knob..... Center
- Treble Control Knob Center
- Balance Control Knob Center
- Input Selector Buttons..... CD
- Tape 2 Monitor Off
- FM Mute Off
- Speaker..... On
- Center Mode Button..... Wide Band
- Delay Time Button..... 20 ms
- Surround Mode Button Off

TEST POINT LOCATIONS



1.FM ADJUSTMENT

Item	Step	Connection of instruments	FM SG output	Stereo modulator output	Tuning frequency	Output indicator	Adjustment point	Adjust for	Remarks
FM IF/RF	1	Fig.1	99.1MHz 1kHz 75kHz devi. 65dBf(60dB)	—	99.1MHz	DC voltmeter	T101	0 ± 30mV	FM MUTE/MODE switch:ON/AUTO Repeat steps 1 and 3 until no further adjustment is necessary.
	AC voltmeter					IFT on the front end	Min. Distort.		
MPX		Fig. 3	99.1MHz 1kHz 75kHz devi. 65dBf		99.1MHz	Frequency Counter	R204	19kHz ± 10Hz	
FM Stereo		Fig.2	99.1MHz Ext. mod.65dBf	Stereo	99.1MHz	AC voltmeter	R221	Adjust so that the left(or right) channel output becomes minimum when only the right (or left) channel of the Stereo modulator is modulated.	
Stereo Ind. Sens.		Fig.2	99.1MHz 30dBf	Stereo	99.1MHz		R160	Stereo indicator turns on	

2.AM ADJUSTMENT

<RH>

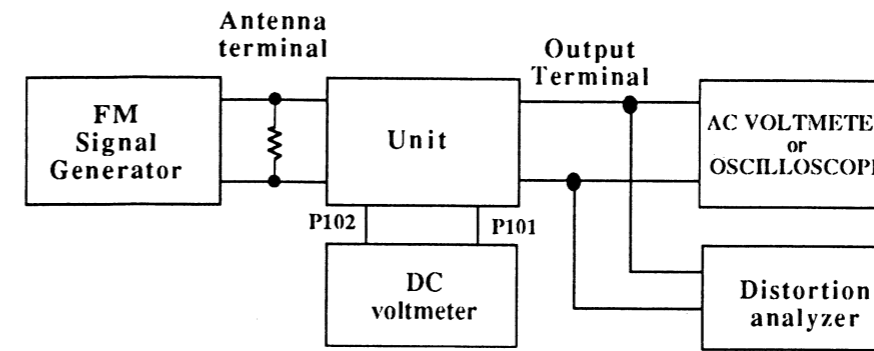
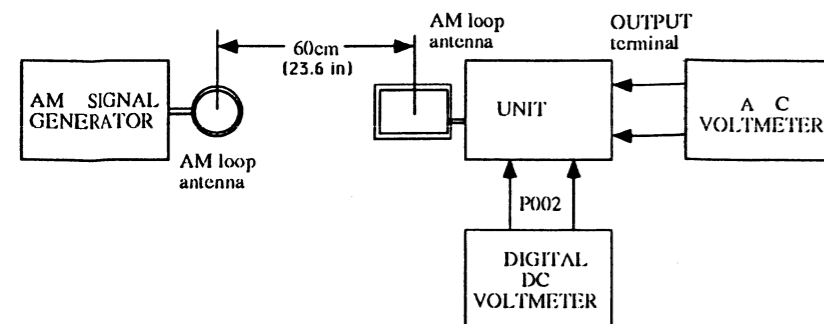
Step	AM SG output	Tuning Frequency	Output Indicator	Adjustment point	Adjust for
1		530kHz	Digital DC voltmeter	OSC coil on RF block L.151	1.2 ± 0.2V
2	600kHz 400Hz 30% mod. 60dB/m	600kHz	AC voltmeter	RF coil on RF block L.151	Maximum
3	990kHz 400Hz 30% mod. 55dB μ/m	990kHz	AC voltmeter	T151	Maximum

Reference Specification
 FM tuning voltage : 87.9MHz~107.9MHz
 More than 1.3V~less than 10.0V
 AM tuning voltage : 530kHz~1710kHz
 1.2V ± 0.2V~less than 9.0V

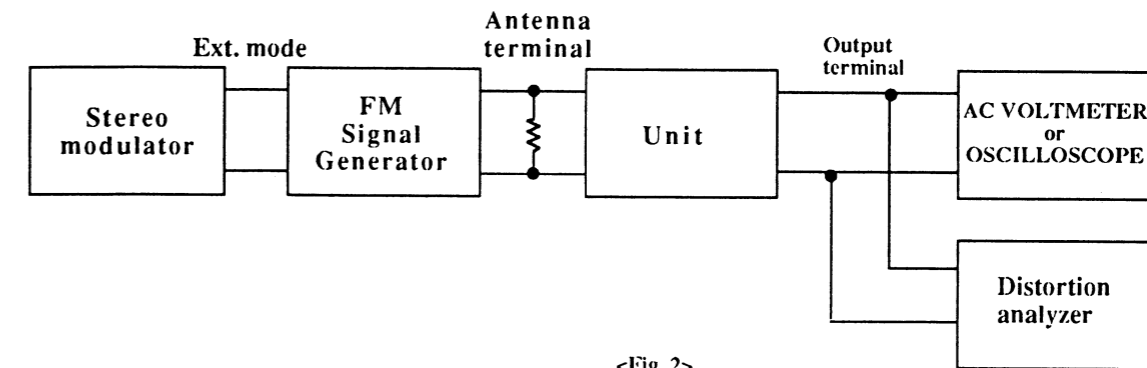
B1<C>

Step	AM SG output	Tuning Frequency	Output Indicator	Adjustment point	Adjust for
1		522kHz	Digital DC voltmeter	OSC coil on RF block L.151	1.2 ± 0.2V
2	603kHz 400Hz 30% mod. 60dB/m	603kHz	AC voltmeter	RF coil on RF block L.151	Maximum
3	999kHz 400Hz 30% mod. 55dB μ/m	999kHz	AC voltmeter	T151	Maximum

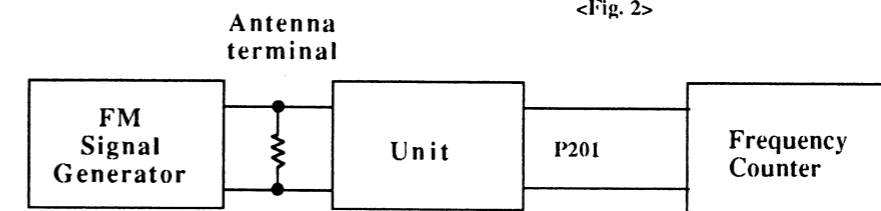
Reference Specification
 FM tuning voltage : 87.5MHz~108.0MHz
 More than 1.3V~less than 10.0V
 AM tuning voltage : 522kHz~1611kHz
 1.2V ± 0.2V~less than 9.0V



<Fig. 1>



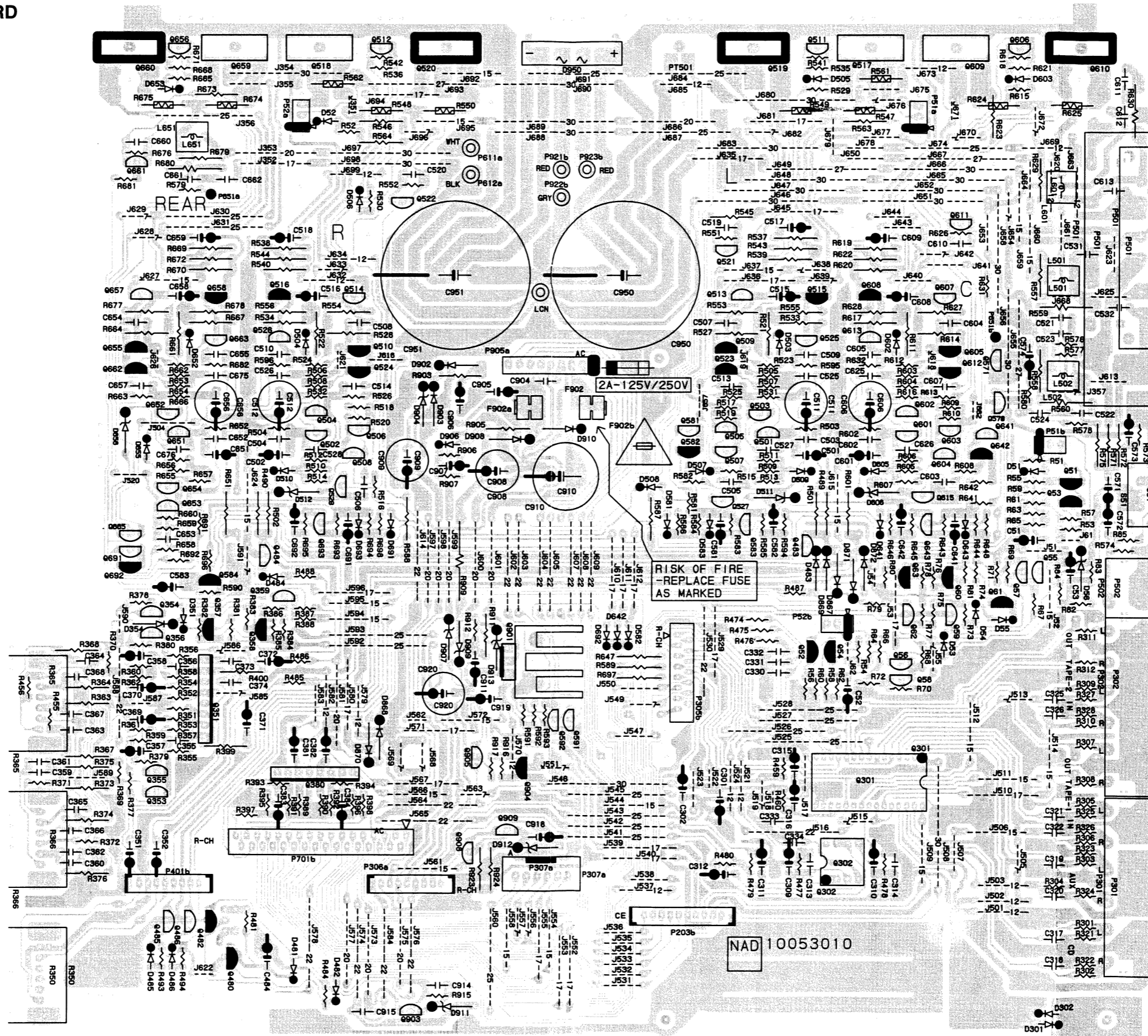
<Fig. 2>



<Fig. 3>

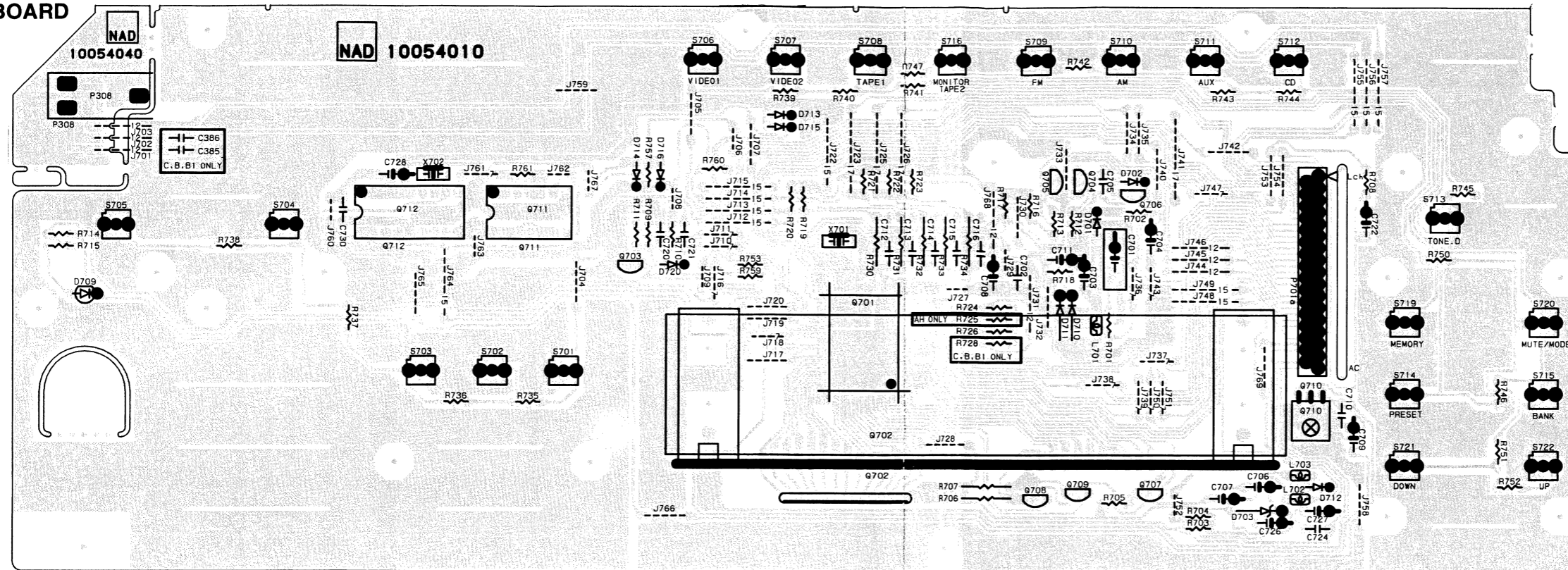
PRINTED CIRCUIT BOARD VIEW

PCB-1 MAIN P.C. BOARD

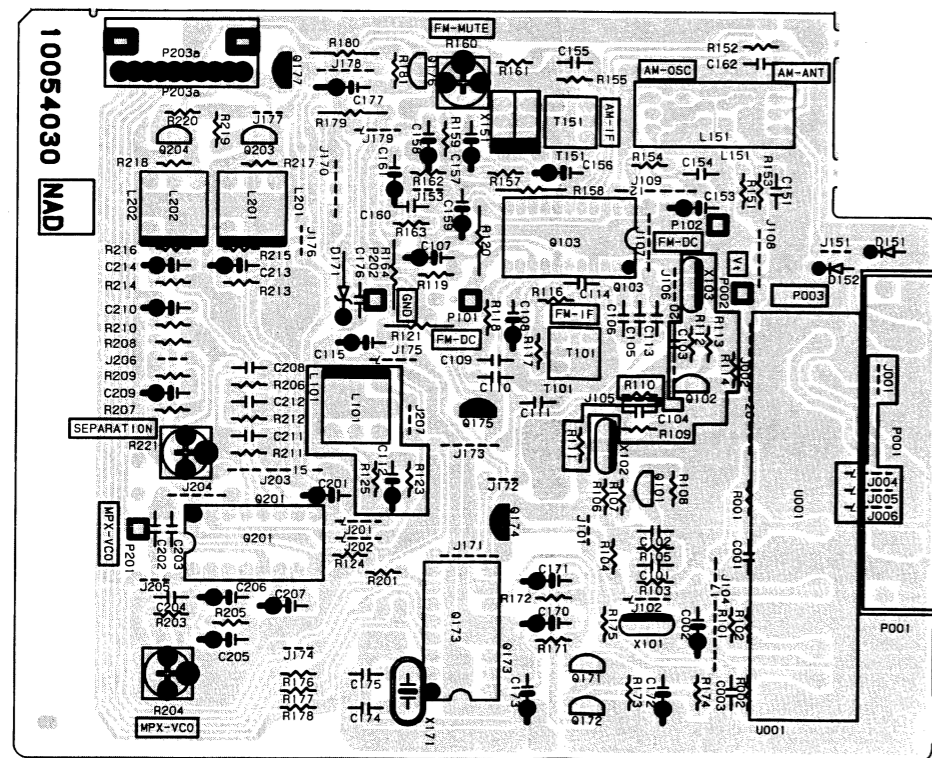


NAD 10053010

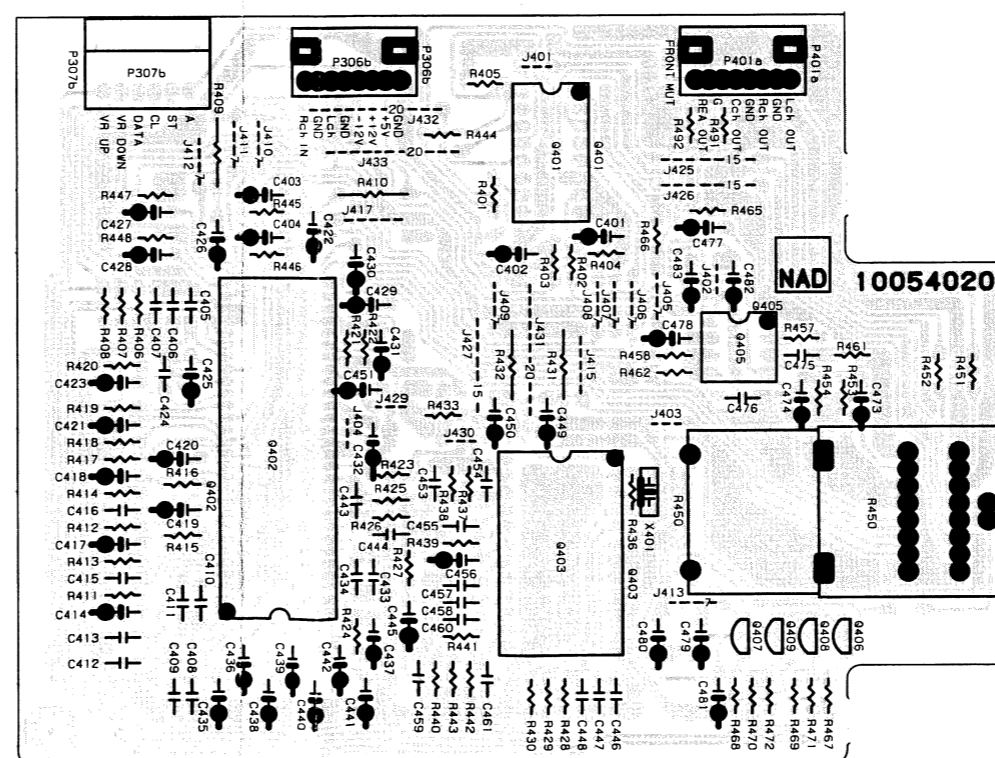
PCB-9
HEADPHONES
P.C. BOARD



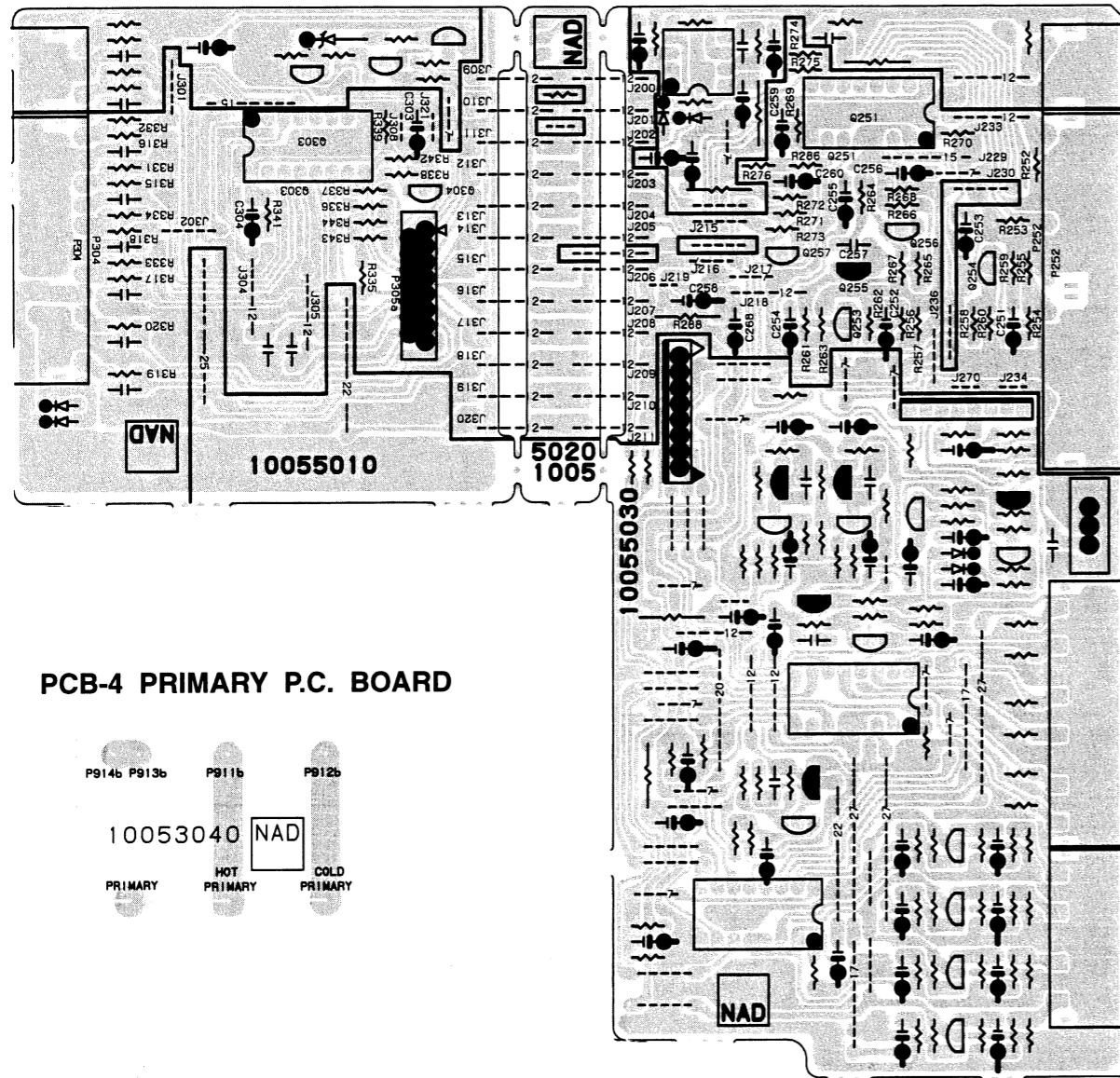
PCB-8 TUNER P.C. BOARD



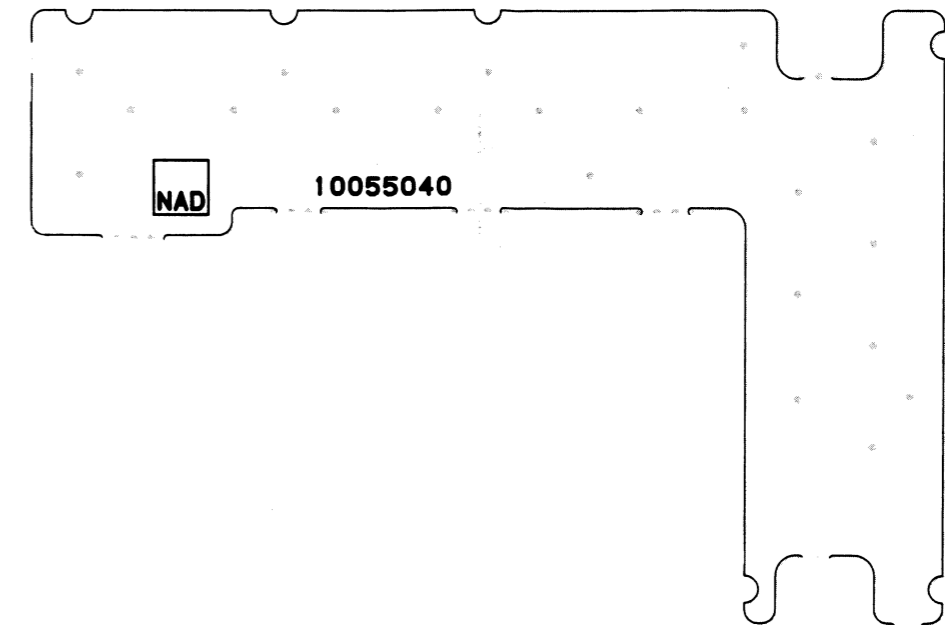
PCB-7 VR/SURROUND P.C. BOARD



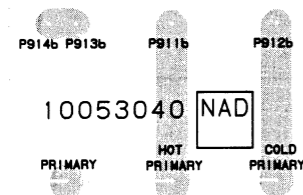
PCB-10 VIDEO-AUDIO P.C. BOARD
 PCB-11 CONNECTOR P.C. BOARD
 PCB-12 VIDEO P.C. BOARD



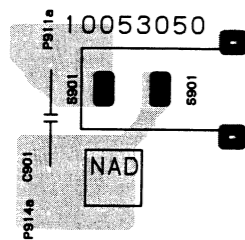
PCB-13 WIRE P.C. BOARD



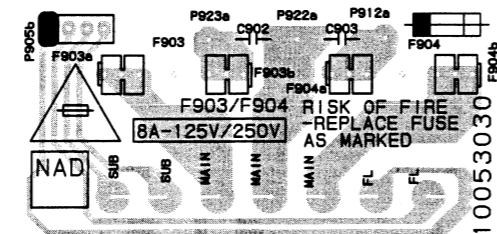
PCB-4 PRIMARY P.C. BOARD



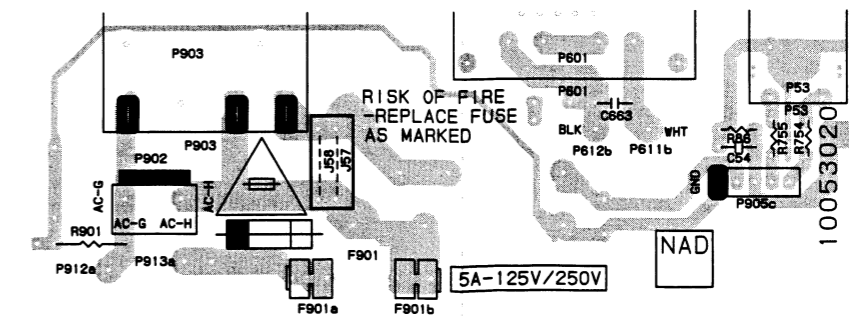
PCB-5 POWER SWITCH P.C. BOARD



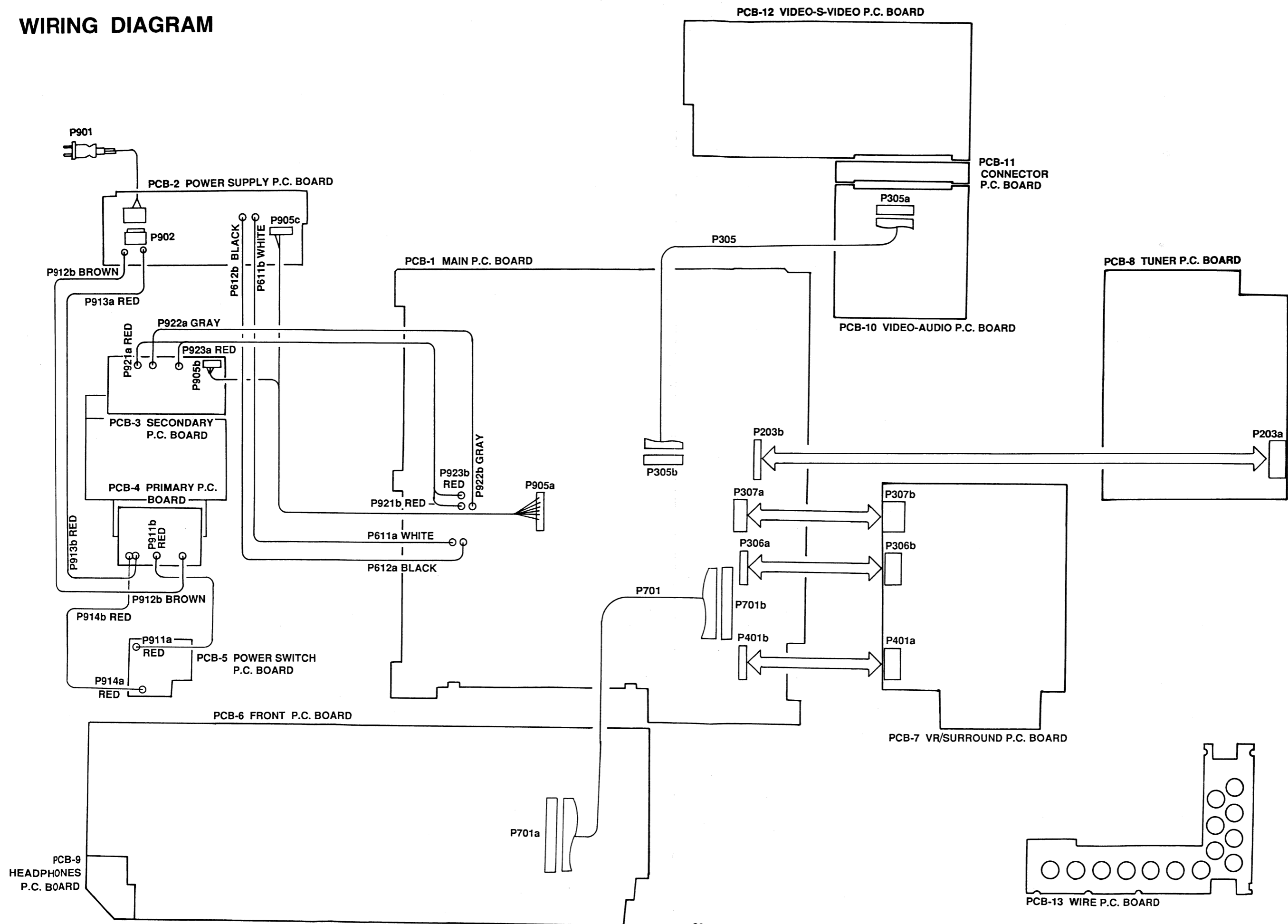
PCB-3 SECONDARY P.C. BOARD



PCB-2 POWER SUPPLY P.C. BOARD



WIRING DIAGRAM



ELECTRICAL PARTS LIST

PCB-1 MAIN CIRCUIT PC BOARD

CIRCUIT NO. PART NO. DESCRIPTION

CIRCUIT NO.	PART NO.	DESCRIPTION
ICs		
Q301	5654-LC78211	LC78211
Q302	5653-HA17458G	HA17458GS
Q351	5653-NJ4558L	NJ4558L
Q380	5653-NJ4556AL	NJ4556AL
TRANSISTORS		
Q51-Q54	5611-933(R)	2SA933(R)
Q55-Q59	5613-1740(R)	2SC1740(R)
Q60,Q61	5611-933(R)	2SA933(R)
Q62	5613-1740(R)	2SC1740(R)
Q63	5611-933(R)	2SA933(R)
Q353-Q356	5616-2SK246BL	FET, 2SK246BL
Q357,Q358	5611-933(R)	2SA933(R)
Q359	5613-1740(R)	2SC1740(R)
Q480	5611-933(R)	2SA933(R)
Q482	5611-A124ES	DTA124ES
Q483-Q486	5614-655(E)	2SD655(E)
Q501-Q504	5613-1775(F)	2SC1775(F)
Q505-Q508	5613-1815(GR)	2SC1815(GR)
Q509,Q510	5612-646A(C)	2SB646A(C)
Q511,Q512	5614-666A(C)	2SD666A(C)
Q513,Q514	5614-667A(C)	2SD667A(C)
Q515,Q516	5612-647A(C)	2SB647A(C)
Q517,Q518	△ 5614-1047(E)	2SD1047(E)
Q519,Q520	△ 5612-817(E)	2SB817(E)
Q521,Q522	5613-1775A(E)	2SC1775A(E)
Q523,Q524	5611-872A(E)	2SA872A(E)
Q525,Q526	5614-666A(C)	2SD666A(C)
Q527,Q528	5614-666A(C)	2SD666A(C) <C><B1>
Q570,Q571	5613-1815(GR)	2SC1815(GR) <C><B1>
Q581	5613-1815(GR)	2SC1815(GR)
Q582	5611-872A(E)	2SA872A(E)
Q583	5613-1740(R)	2SC1740(R)
Q584	5611-872A(E)	2SA872A(E)
Q591,Q592	5613-1740(R)	2SC1740(R)
Q601,Q602	5613-1775(F)	2SC1775(F)
Q603,Q604	5613-1815(GR)	2SC1815(GR)
Q605	5612-646A(C)	2SB646A(C)
Q606	5614-666A(C)	2SD666A(C)
Q607	5614-667A(C)	2SD667A(C)
Q608	5612-647A(C)	2SB647A(C)
Q609	△ 5614-1047(E)	2SD1047(E)
Q610	△ 5612-817(E)	2SB817(E)
Q611	5613-1775A(E)	2SC1775A(E)
Q612	5611-872A(E)	2SA872A(E)
Q613	5614-666A(C)	2SD666A(C)
Q615	5614-666A(C)	2SD666A(C) <C><B1>
Q641	5613-1815(GR)	2SC1815(GR)
Q642	5611-872A(E)	2SA872A(E)
Q643	5613-1740(R)	2SC1740(R)
Q651,Q652	5613-1775(F)	2SC1775(F)
Q653,Q654	5613-1815(GR)	2SC1815(GR)
Q655	5612-646A(C)	2SB646A(C)
Q656	5614-666A(C)	2SD666A(C)
Q657	5614-667A(C)	2SD667A(C)
Q658	5612-647A(C)	2SB647A(C)
Q659	△ 5614-1047(E)	2SD1047(E)
Q660	△ 5612-817(E)	2SB817(E)
Q661	5613-1775A(E)	2SC1775A(E)
Q662	5611-872A(E)	2SA872A(E)
Q663	5614-666A(C)	2SD666A(C)
Q665	5614-666A(C)	2SD666A(C) <C><B1>
Q691	5613-1815(GR)	2SC1815(GR)
Q692	5611-872A(E)	2SA872A(E)
Q693	5613-1740(R)	2SC1740(R)
Q901	△ 5614-1406(Y)	2SD1406(Y)
Q903*AH	5613-1815(GR)	2SC1815J(GR) <AH>
Q903*CB	5614-1406(Y)	2SD1406(Y) <C><B1>
Q904	5612-562(C)	2SB562(C)
Q905	5613-C114TS	DTC114TS
Q908	5614-468(C)	2SD468(C)
Q909	5613-1740(R)	2SC1740(R)

CIRCUIT NO.	PART NO.	DESCRIPTION
DIODES		
D51-D55	5636-1SS133	1SS133
D56	5635-HZ5C2	Zener, HZ5C2
D301,D302	5636-1SS133	1SS133
D351	5636-1SS133	1SS133
D354	5636-1S2473	1S2473

CIRCUIT NO.	PART NO.	DESCRIPTION
D481,D482	5636-1SS133	1SS133
D483	5636-1S2473	1S2473
D484-D486	5636-1SS133	1SS133
D503-D508	5636-1SS133	1SS133
D511,D512	5635-HZ6C3	Zener, HZ6C3 <C><B1>
D581-D583	5636-1SS133	1SS133
D602,D603	5636-1SS133	1SS133
D606	5635-HZ6C3	Zener, HZ6C3 <C><B1>
D641-D643	5636-1SS133	1SS133
D652-D653	5636-1SS133	1SS133
D656	5635-HZ6C3	Zener, HZ6C3 <C><B1>
D691-D693	5636-1SS133	1SS133
D867-D869	5636-1S2473	1S2473
D870-D874	5636-1S2473	1S2473
D902,D903	5632-1N4002E	1N4002-E
D904	5635-HZ24-1	Zener, HZ24-1
D906	5636-1SS133	1SS133
D907	5635-HZ5C1	Zener, HZ5C1
D908	5632-1N4002E	1N4002-E
D909	5635-HZ12B2	Zener, HZ12B2
D910	5632-1N4002E	1N4002-E
D911,D912	5635-HZ6C3	Zener, HZ6C3
D913	5635-HZ12B2	Zener, HZ12B2
D950	△ 5685-RS804	Bridge Silicon, RS804
CAPACITORS		
C51,C52	5345-107-16	100 μ F 16V Elect.
C53	5345-106-50	10 μ F 50V Elect.
C301,C302	5345-476-25	47 μ F 25V Elect.
C309-C312	5345-106-50	10 μ F 50V Elect.
C315,C316	5345-476-25	47 μ F 25V Elect.
C351,C352	5345-106-50	10 μ F 50V Elect.
C357,C358	5345-226-50	22 μ F 50V Elect.
C359,C360	5369-S010M223	0.022 μ F 25V Plastic
C363,C364	5354-124593	0.12 μ F \pm 5% 50V Plastic
C367,C368	5354-223J1HM	0.022 μ F \pm 5% 50V Plastic
C369,C370	5345-107-16	100 μ F 16V Elect.
C371,C372	5345-106-50	10 μ F 50V Elect.
C381,C382	5345-106-50	10 μ F 50V Elect.
C383,C384	5345-476-25	47 μ F 25V Elect.
C484	5345-477-16	470 μ F 16V Elect.
C501,C502	5345-106-50	10 μ F 50V Elect.
C505,C506	5354-104593	0.1 μ F \pm 5% 50V Plastic
C511,C512	5345-227-10	220 μ F 10V Elect.
C515,C518	5345-106-50	10 μ F 50V Elect.
C519,C520	5369-S010M683	0.068 μ F \pm 20% 25V Plastic
C521,C524	5354-683593	0.068 μ F \pm 5% 50V Plastic
C525,C526	5354-104593	0.1 μ F \pm 5% 50V Plastic
C571,C572	5345-107-16	100 μ F 16V Elect.
C573	5345-225-50	2.2 μ F 50V Elect.
C574	5345-227-10	220 μ F 10V Elect.
C581	5345-226-50	22 μ F 50V Elect.
C582	5345-334-50	0.33 μ F 50V Elect.
C583	5345-105-50	1 μ F 50V Elect.
C601	5345-106-50	10 μ F 50V Elect.
C603	5354-104593	0.1 μ F \pm 5% 50V Plastic
C606	5345-227-10	220 μ F 10V Elect.
C608,C609	5345-106-50	10 μ F 50V Elect.
C610	5369-S010M683	0.068 μ F \pm 20% 25V Plastic
C611,C612	5354-683593	0.068 μ F \pm 5% 50V Plastic
C625	5354-104593	0.1 μ F \pm 5% 50V Plastic
C641	5345-226-50	22 μ F 50V Elect.
C642	5345-334-50	0.33 μ F 50V Elect.
C651	5345-106-50	10 μ F 50V Elect.
C653	5354-104593	0.1 μ F \pm 5% 50V Plastic
C656	5345-227-10	220 μ F 10V Elect.
C658,C659	5345-106-50	10 μ F 50V Elect.
C660	5369-S010M683	0.068 μ F \pm 20% 25V Plastic
C661,C662	5354-683593	0.068 μ F \pm 5% 50V Plastic
C675	5354-104593	0.1 μ F \pm 5% 50V Plastic
C691	5345-226-50	22 μ F 50V Elect.
C692	5345-334-50	0.33 μ F 50V Elect.
C905,C906	5345-476-25	47 μ F 25V Elect.
C907	5345-475-50	4.7 μ F 50V Elect.
C908	5345-477-25	470 μ F 25V Elect.
C909	5345-227-35	220 μ F 35V Elect.
C910	5345-228-25	2200 μ F 25V Elect.
C911	5345-337-16	330 μ F 16V Elect.
C918	5345-107-16	100 μ F 16V Elect.
C919	5345-227-16	220 μ F 16V Elect.
C920	5345-477-16	470 μ F 16V Elect.

CIRCUIT NO.	PART NO.	DESCRIPTION
C950,C951	△ 5341-S51GM109	10000 μF 63V Elect.
	RESISTORS	
R350	5109-S1201104	100 k ohm Variable Resistor, BALANCE
R365	5113-S2201104	100 k ohm Variable Resistor, BASS
R366	5113-S2201503	50 k ohm Variable Resistor, TREBLE
R521,R522	△ 5102-S101J221	220 ohm ±5% 1/4W Fuse
R527-R528	△ 5102-S101J101	100 ohm ±5% 1/4W Fuse
R533,R534	△ 5102-S101J101	100 ohm ±5% 1/4W Fuse
R537,R538	△ 5102-S101J100	10 ohm ±5% 1/4W Fuse
R539,R540	△ 5102-S101J331	330 ohm ±5% 1/4W Fuse
R543,R544	△ 5102-S101J100	10 ohm ±5% 1/4W Fuse
R547-R550	△ 5272-S010JR22	0.22 ohm ±5% 2W Cement
R553-R556	△ 5102-S101J4R7	4.7 ohm ±5% 1/4W Fuse
R559,R560	5171-S040J100	10 ohm ±5% 1W Metal
R561,R562	5272-S010KR10	0.1 ohm ±10% 2W Cement
R611	△ 5102-S101J221	220 ohm ±5% 1/4W Fuse
R614,R617	△ 5102-S101J101	100 ohm ±5% 1/4W Fuse
R619	△ 5102-S101J100	10 ohm ±5% 1/4W Fuse
R620	△ 5102-S101J331	330 ohm ±5% 1/4W Fuse
R622	△ 5102-S101J100	10 ohm ±5% 1/4W Fuse
R624,R625	△ 5272-S010JR22	0.22 ohm ±5% 2W Cement
R627,R628	△ 5102-S101J4R7	4.7 ohm ±5% 1/4W Fuse
R630	5171-S040J100	10 ohm ±5% 1W Metal
R661	△ 5102-S101J221	220 ohm ±5% 1/4W Fuse
R664,R667	△ 5102-S101J101	100 ohm ±5% 1/4W Fuse
R669	△ 5102-S101J100	10 ohm ±5% 1/4W Fuse
R670	△ 5102-S101J331	330 ohm ±5% 1/4W Fuse
R672	△ 5102-S101J100	10 ohm ±5% 1/4W Fuse
R674,R675	△ 5272-S010JR22	0.22 ohm ±5% 2W Cement
R677,R678	△ 5102-S101J4R7	4.7 ohm ±5% 1/4W Fuse
R680	5171-S040J100	10 ohm ±5% 1W Metal
R909	△ 5175-S041J151	150 ohm ±5% 3W Metal
R923	△ 5102-S101J220	22 ohm ±5% 1/4W Fuse
	COILS	
L501,L502	5991-0059	
L601,L651	5991-0059	
	MISCELLANEOUS	
F902*AH	△ 5732-01101202	Fuse, 2A 125V/250V <AH>
F902*CB	△ 5732-01601122	Fuse, T1.25A 125V/250V <C><B1>
F902a,F902b	4472-05001	Fuse Holder, F902
P203b	4443-13001010	Connector
P301,P302	4489-05001006	Pin Jack,
P305b	4443-02301015	Connector
P306a	4443-13001008	Connector
P307a	4443-12801006	Connector
P401b	4443-13001008	Connector
P501	4214-276	Terminal, Main/Center Speaker
P502	4481-01401	Jack, Subwoofer out
P611	4163-0140027	Connector
P612	4163-0140024	Connector
P701b	4443-02301033	Connector
P905	4163-09608009	Connector
P921	4163-0135025	Connector
P922	4163-0135026	Connector
P923	4163-0135025	Connector
R597	5192-010BC222	Posistor 1
S51	4421-03501011	Slide Switch, DEP

CIRCUIT NO.	PART NO.	DESCRIPTION
	RESISTOR	
R901	△ 5135-S031J335	3.3 M ohm ±5% 1/2W Carbon <AH>
	MISCELLANEOUS	
P53	4489-05104002	Pin Jack, NAD Link
P601	4214-272	Terminal, Rear Speaker
F901*AH	△ 5732-01101502	Fuse, 5A 125V/250V <AH>
F901*CB	△ 5732-01601252	Fuse, 2.5AL <C><B1>
F901a,F901b	4472-05001	Fuse Holder, F901
P902	△ 4443-09501002	Connector
P903	△ 4474-02903	Socket, Outlet <AH>
P912	4163-S5101350	Connector
P913	4163-S5201350	Connector

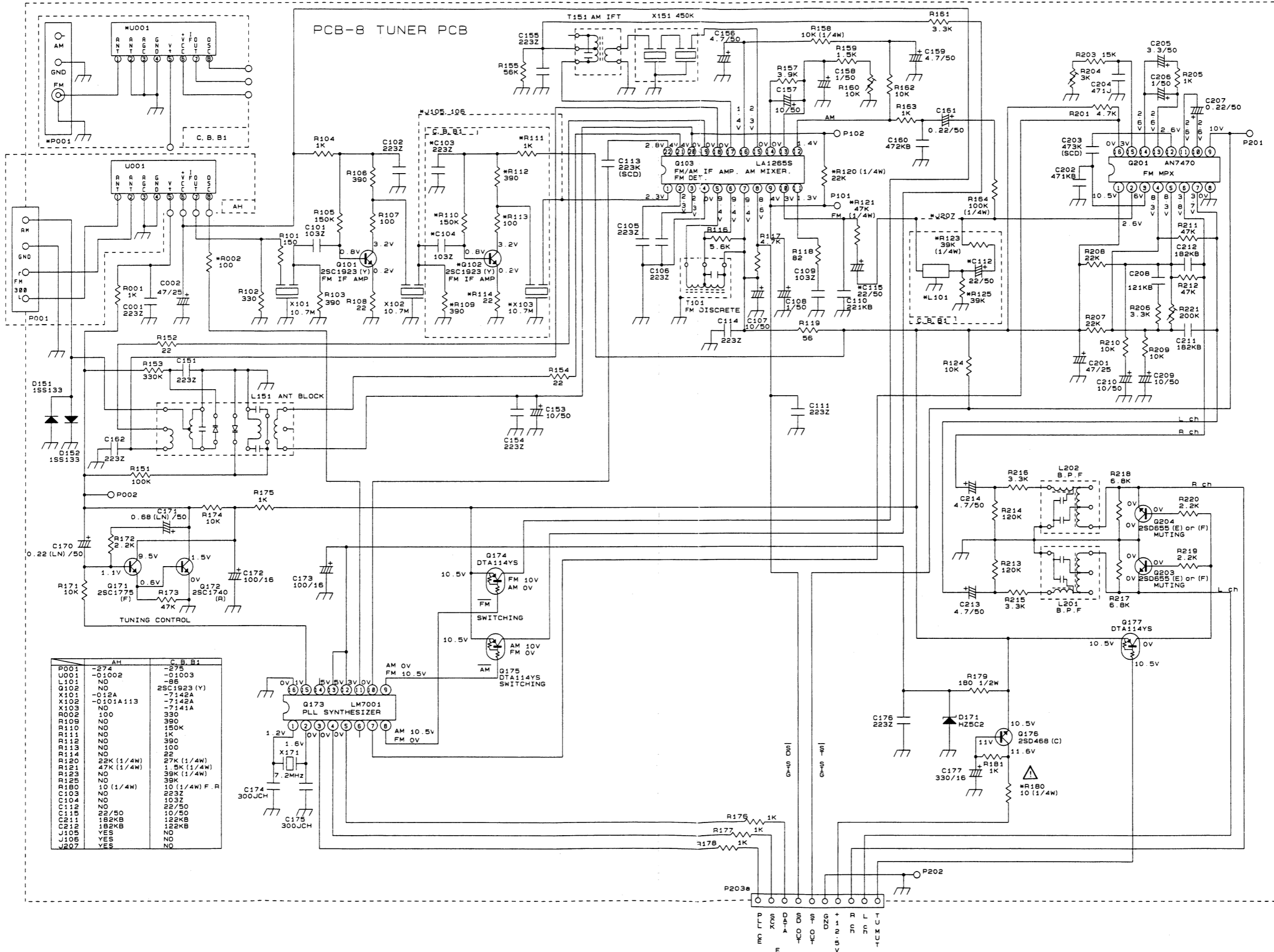
CIRCUIT NO.	PART NO.	DESCRIPTION
	CAPACITORS	
C902,C903	5354-104K2AM	0.1 μF ±10% 100V Plastic
	MISCELLANEOUS	
	△ 5732-01101802	Fuse, 8A 125V/250V<AH>
	△ 5732-01601632	Fuse, T6.3AL 125V/250V <C><B1>
F904*AH	△ 5732-01101802	Fuse, 8A 125V/250V<AH>
F904*CB	△ 5732-01601632	Fuse, T6.3AL 125V/250V <C><B1>
F903a,F903b	4472-05001	Fuse Holder, F903
F904a,F904b	4472-05001	Fuse Holder, F904
	PCB-4 PRIMARY PC BOARD	
	MISCELLANEOUS	
P911,P914	4163-S5201100	Connector with Lead Wire
	PCB-5 POWER SWITCH PC BOARD	
	CAPACITOR	
C901	△ 5352-S251M103	0.01 μF ±20% Metalized Polyester
	MISCELLANEOUS	
S901	△ 4433-00105	Push Switch, Power
	PCB-6 FRONT CIRCUIT PC BOARD	
	ICs	
Q701	5654-UD78042B	μ PD78042AGF
IC711	5654-H74H00D	H74H00D
IC712	5654-Z86E08-1	Z86E08-1
	TRANSISTORS	
Q703-Q705	5613-1740(R)	2SC1740(R)
Q706	5613-C124ES	DTC124ES
Q707-Q709	5613-1740(R)	2SC1740(R)
	DIODES	
D701,D702	5636-1SS133	1SS133
D703	5635-HZ9C1	Zener, HZ9C1
D709	5637-L132XPGC	LED, L132XPGC
D710-D716	5636-1S2473	1S2473
D720	5636-1SS133	1SS133
	CAPACITORS	
C701	5350-S081Z104	0.1F Special Elect.
C702	5354-474593	0.47 μF ±5% 50V Plstic
C703	5345-107-10	100 μF ±20% 10V Elect.
C704	5345-105-50	1 μF ±20% 50V Elect.
C706, C707	5345-105-50	1 μF ±20% 50V Elect.
C708, C709	5345-107-10	100 μF ±20% 10V Elect.
C711	5345-107-10	100 μF ±20% 10V Elect.
C722, C726	5345-106-50	10 μF ±20% 50V Elect.
C727	5345-107-10	100 μF ±20% 10V Elect.
C728	5345-104-50	0.1 μF ±20% 50V Elect.
	COILS	
L701-L703	5995-220098	
	MISCELLANEOUS	
Q702	5722-068	Display
Q710	6143-02201	Remote Control Receiver Unit
P701a	4443-02301033	Connector
S701-S716	4437-02301	Push Switch
S719-S722	4437-02301	Push Switch
X701	5693-CST419MG	Ceramic Osc.
X702	5693-CST12MTW	Ceramic Osc.
	PCB-7 VR/SURROUND CIRCUIT PC BOARD	
	ICs	
Q401	5654-HD14052B	HD14052BP
Q402	5653-NJW1102L	NJW1102L
Q403	5654-NJU9702D	NJU9702D
Q405	5653-HA17458G	HA17458GS

CIRCUIT NO.	PART NO.	DESCRIPTION	CIRCUIT NO.	PART NO.	DESCRIPTION
TRANSISTORS			C156	5345-475-50	4.7 μ F 50V Elect.
Q406-Q409	5613-1740(R)	2SC1740(R)	C157	5345-106-50	10 μ F 50V Elect.
CAPACITORS			C158	5345-105-50	1 μ F 50V Elect.
C401-C404	5345-106-50	10 μ F 50V Elect.	C159	5345-475-50	4.7 μ F 50V Elect.
C408,C409	5369-S010M473	0.047 μ F 25V Plastic	C161	5345-224-50	0.22 μ F 50V Elect.
C410,C411	5369-S010M104	0.1 μ F \pm 20% 25V Plastic	C170	5345-L224M50	0.22 μ F 50V Elect.
C412,C412	5354-2231JHM	0.022 μ F \pm 5% 50V Plastic	C171	5345-L684M50	0.68 μ F 50V Elect.
C414	5345-104-50	0.1 μ F 50V Elect.	C172,C173	5345-107-16	100 μ F 16V Elect.
C415,C416	5354-681J1HM	680 pF \pm 5% 50V Plastic	C177	5345-337-16	330 μ F 16V Elect.
C417-C420	5345-104-50	0.1 μ F 50V Elect.	C201	5345-476-25	47 μ F 25V Elect.
C421	5345-226-50	22 μ F 50V Elect.	C203	5369-S010M473	0.047 μ F \pm 20% 25V Plastic
C422	5345-107-16	100 μ F 16V Elect.	C204	5359-471585	470 pF \pm 5% 100V Polypolyene
C423	5345-476-25	47 μ F 25V Elect.	C205	5345-335-50	3.3 μ F 50V Elect.
C424	5361-472KB	4700 pF \pm 10% 50V Ceramic	C206	5345-105-50	1 μ F 50V Elect.
C425	5345-226-50	22 μ F 50V Elect.	C207	5345-224-50	0.22 μ F 50V Elect.
C426	5345-107-10	100 μ F 10V Elect.	C209,C210	5345-106-50	10 μ F 50V Elect.
C427-C430	5345-106-50	10 μ F 50V Elect.	C213,C214	5345-475-50	4.7 μ F 50V Elect.
C431	5345-104-50	0.1 μ F 50V Elect.	RESISTORS		
C432	5345-227-16	220 μ F 16V Elect.	R160	5101-10301934	10 k ohm Variable Resistor
C434	5369-S010M473	0.047 μ F \pm 20% 25V Plastic	R180	5102-S101J100	10 ohm \pm 5% 1/4W Fuse <C><B1>
C435,C436	5345-224-50	0.22 μ F 50V Elect.	R204	5101-30201934	3 k ohm Variable Resistor
C437	5345-684-50	0.68 μ F 50V Elect.	R221	5101-20401934	200 k ohm Variable Resistor
C438,C439	5345-475-50	4.7 μ F 50V Elect.	COILS		
C440,C441	5345-224-50	0.22 μ F 50V Elect.	L101	5214-86	Coil <C><B1>
C442	5345-104-50	0.1 μ F 50V Elect.	L151	6111-02402	RF Block
C445	5345-475-50	4.7 μ F 50V Elect.	L201,L202	5214-75	LC Components
C449,C450	5345-107-16	100 μ F 16V Elect.	MISCELLANEOUS		
C451	5345-475-50	4.7 μ F 50V Elect.	P001*AH	4214-274	Terminal, Antenna <AH>
C455	5354-104593	0.1 μ F \pm 5% 50V Plastic	P001*CB	4214-275	Terminal, Antenna <C><B1>
C456	5345-476-25	47 μ F 25V Elect.	P003	4162-01201700	Lug w/wire <C><B1>
C457,C458	5369-S010M473	0.047 μ F \pm 20% 25V Plastic	P203a	4443-12901010	Connector
C460	5354-104593	0.1 μ F \pm 5% 50V Plastic	T101	5572-00116	Transformer
C473,C474	5345-106-50	10 μ F 50V Elect.	T151	5552-00712	Transformer
C477,C478	5345-106-50	10 μ F 50V Elect.	U001*AH	6114-01002	FM Front End <AH>
C479,C480	5345-475-50	4.7 μ F 50V Elect.	U001*CB	6114-01003	FM Front End <C><B1>
C481	5345-476-25	47 μ F 25V Elect.	X101*AH	5671-012A	Ceramic Filter, 10.7 MHz <AH>
C482,C483	5345-475-50	4.7 μ F 50V Elect.	X101*CB	5671-7142A	Ceramic Filter, 10.7 MHz <C><B1>
RESISTORS			X102*AH	5671-0101A113	Ceramic Filter, 10.7 MHz <AH>
R410	5102-S101J220	22 ohm \pm 5% 1/4W Fuse <C><B1>	X102*CB	5671-7142A	Ceramic Filter, 10.7 MHz <C><B1>
R450	6161-01201	50 k ohm Variable Resistor, Volume	X103	5671-7141A	Ceramic Filter <C><B1>
MISCELLANEOUS			X151	5671-017135R5	Ceramic Filter, 450 kHz
P306b	4443-12901008	Connector	X171	5691-S1907722	Crystal Osc.
P307b	4443-12701006	Connector	PCB-9 HEADPHONES PC BOARD		
P401a	4443-12901008	Connector	CIRCUIT NO.	PART NO.	DESCRIPTION
X401	5693-CST204MG	Ceramic Osc.	MISCELLANEOUS		
PCB-4 TUNER CIRCUIT PC BOARD			P308	4451-50805	Jack, Headphones
CIRCUIT NO.	PART NO.	DESCRIPTION	PCB-10 VIDEO-AUDIO CIRCUIT PC BOARD		
ICs			CIRCUIT NO.	PART NO.	DESCRIPTION
Q103	5653-LA1265S	LA1265S	IC		
Q173	5654-LM7001	LM7001	Q303	5654-HD14052B	HD14052BP
Q201	5653-AN7470	AN7470	TRANSISTOR		
TRANSISTORS			Q304	5613-C124ES	DTC124ES
Q101	5613-1923(Y)	2SC1923(Y)	CAPACITORS		
Q102	5613-1923(Y)	2SC1923(Y) <C><B1>	C303,C304	5345-106-50	10 μ F 50V Electrolytic
Q171	5613-1775(F)	2SC1775(F)	MISCELLANEOUS		
Q172	5613-1740(R)	2SC1740(R)	P304	4489-05002006	Pin Jack, TV, VCR In/Out
Q174, Q175	5611-A114YS	DTA114YS	P305a	4443-02302015	Connector
Q176	5614-468(C)	2SD468(C)	PCB-12 VIDEO CIRCUIT PC BOARD		
Q177	5611-A114YS	DTA114YS	CIRCUIT NO.	PART NO.	DESCRIPTION
Q203, Q204	5614-655(E)	2SD655(E)	IC		
DIODES			Q251	5654-HD14052B	HD14052BP
D151, D152	5636-ISS133	ISS133	TRANSISTORS		
D171	5635-HZ5C2	Zener, HZ5C2	Q253, Q254	5613-1740(R)	2SC1740(R)
CAPACITORS			Q255	5611-933(R)	2SA933(R)
C002	5345-476-25	47 μ F 25V Elect.	Q256, Q257	5613-1740(R)	2SC1740(R)
C107	5345-106-50	10 μ F 50V Elect.			
C108	5345-105-50	1 μ F 50V Elect.			
C112	5345-226-50	22 μ F 50V Elect. <C><B1>			
C113	5369-S010M223	0.022 μ F \pm 20% 25V Plastic			
C115*AH	5345-226-50	22 μ F 50V Elect. <AH>			
C115*CB	5345-106-50	10 μ F 50V Elect. <C><B1>			
C153	5345-106-50	10 μ F 50V Elect.			

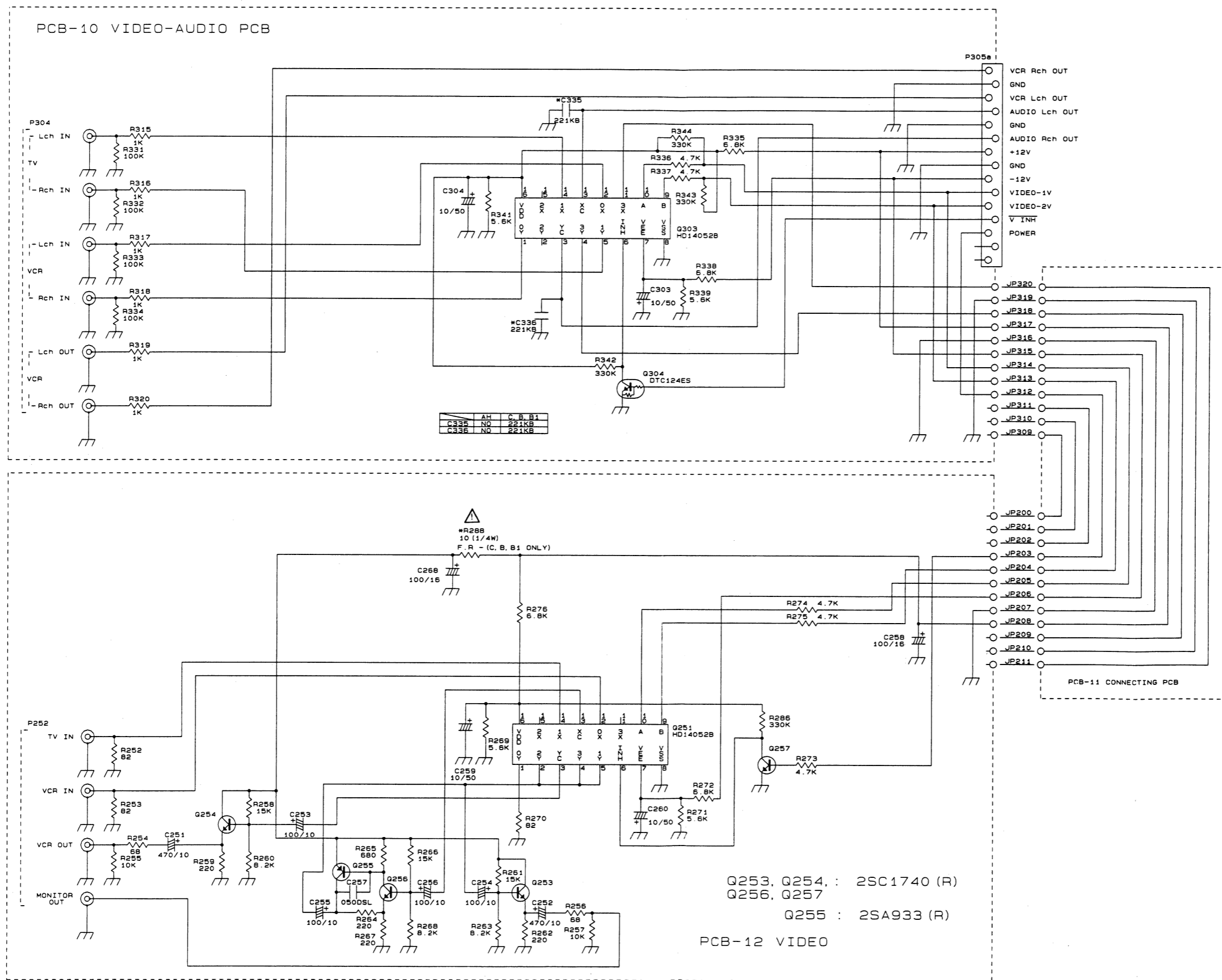
CIRCUIT NO.	PART NO.	DESCRIPTION
CAPACITORS		
C251, C252	5345-477-10	470 μ F 10V Elect.
C253-C256	5345-107-10	100 μ F 10V Elect.
C258	5345-107-16	100 μ F 16V Elect.
C259, C260	5345-106-50	10 μ F 50V Elect.
C268	5345-107-16	100 μ F 16V Elect.
RESISTOR		
R288	5102-S011J100	10 ohm \pm 5% 1/4W Carbon <C><B1>
MISCELLANEOUS		
P252	4489-05401004	Pin Jack, TV, VCR In/Out, Monitor

NOTE: <AH>: U.S.A., Canadian model only
 : U.K. model only
 <B1>: Australian model only
 <C>: European model only

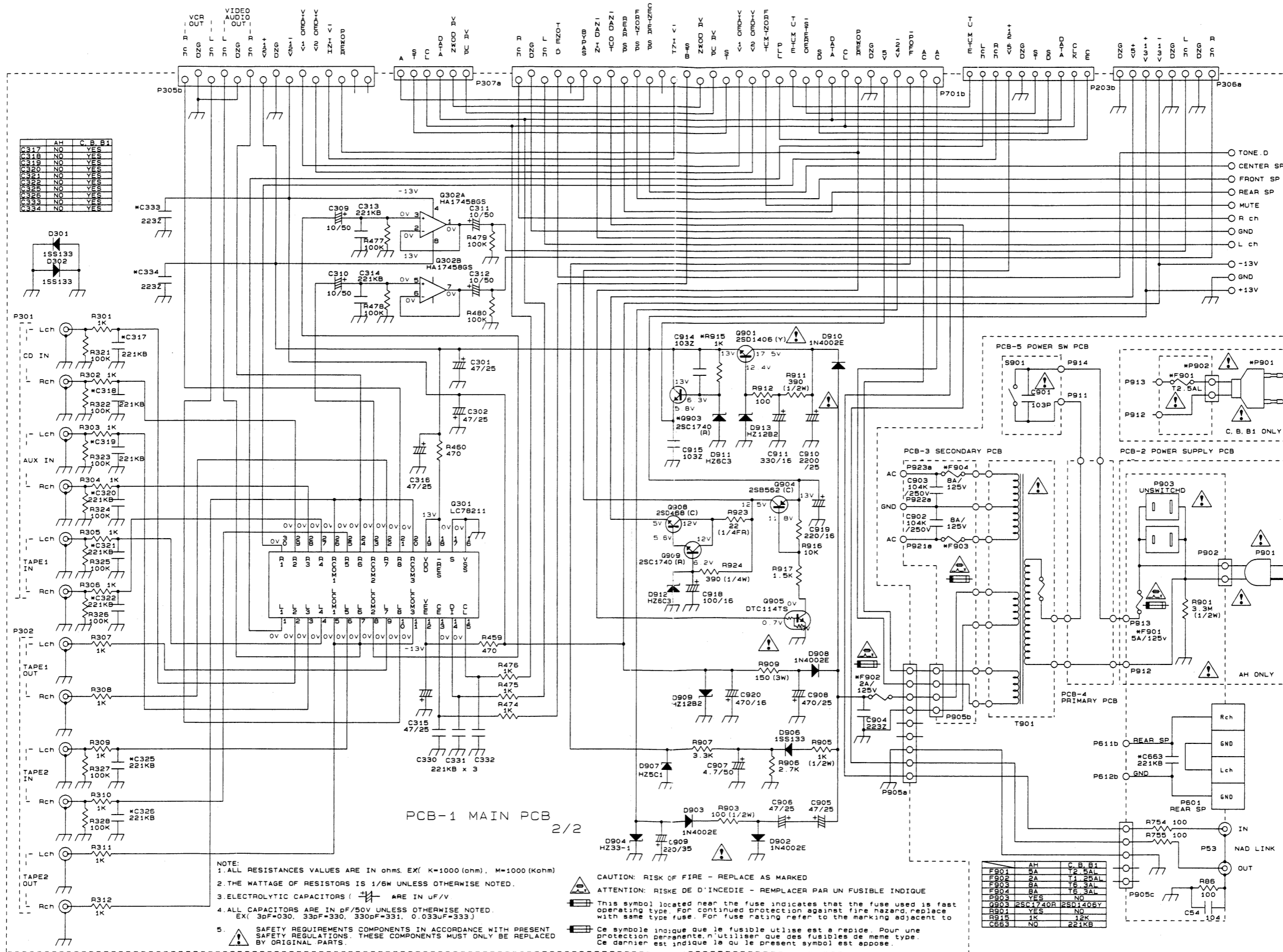
SCHEMATIC DIAGRAMS (1/6)



SCHEMATIC DIAGRAMS (2/6)



SCHEMATIC DIAGRAMS (3/6)



C	AH	C	B	B1
C317	NO	YES		
C318	NO	YES		
C319	NO	YES		
C320	NO	YES		
C321	NO	YES		
C322	NO	YES		
C323	NO	YES		
C324	NO	YES		
C325	NO	YES		
C326	NO	YES		
C327	NO	YES		
C328	NO	YES		
C329	NO	YES		
C330	NO	YES		
C331	NO	YES		
C332	NO	YES		
C333	NO	YES		
C334	NO	YES		

- NOTE:**
1. ALL RESISTANCES VALUES ARE IN ohms. EX(K=1000 (ohm), M=1000 (Kohm))
 2. THE WATTAGE OF RESISTORS IS 1/8W UNLESS OTHERWISE NOTED.
 3. ELECTROLYTIC CAPACITORS () ARE IN uF/V
 4. ALL CAPACITORS ARE IN pF/50V UNLESS OTHERWISE NOTED. EX(3pF=0.30, 33pF=330, 330pF=331, 0.033uF=333)
 5. SAFETY REQUIREMENTS COMPONENTS IN ACCORDANCE WITH PRESENT SAFETY REGULATIONS. THESE COMPONENTS MUST ONLY BE REPLACED BY ORIGINAL PARTS.

CAUTION: RISK OF FIRE - REPLACE AS MARKED
ATTENTION: RISQUE DE D'INCENDIE - REMPLACER PAR UN FUSIBLE INDIQUE

This symbol located near the fuse indicates that the fuse used is fast operating type. For continued protection against fire hazard, replace with same type fuse. For fuse rating refer to the marking adjacent to

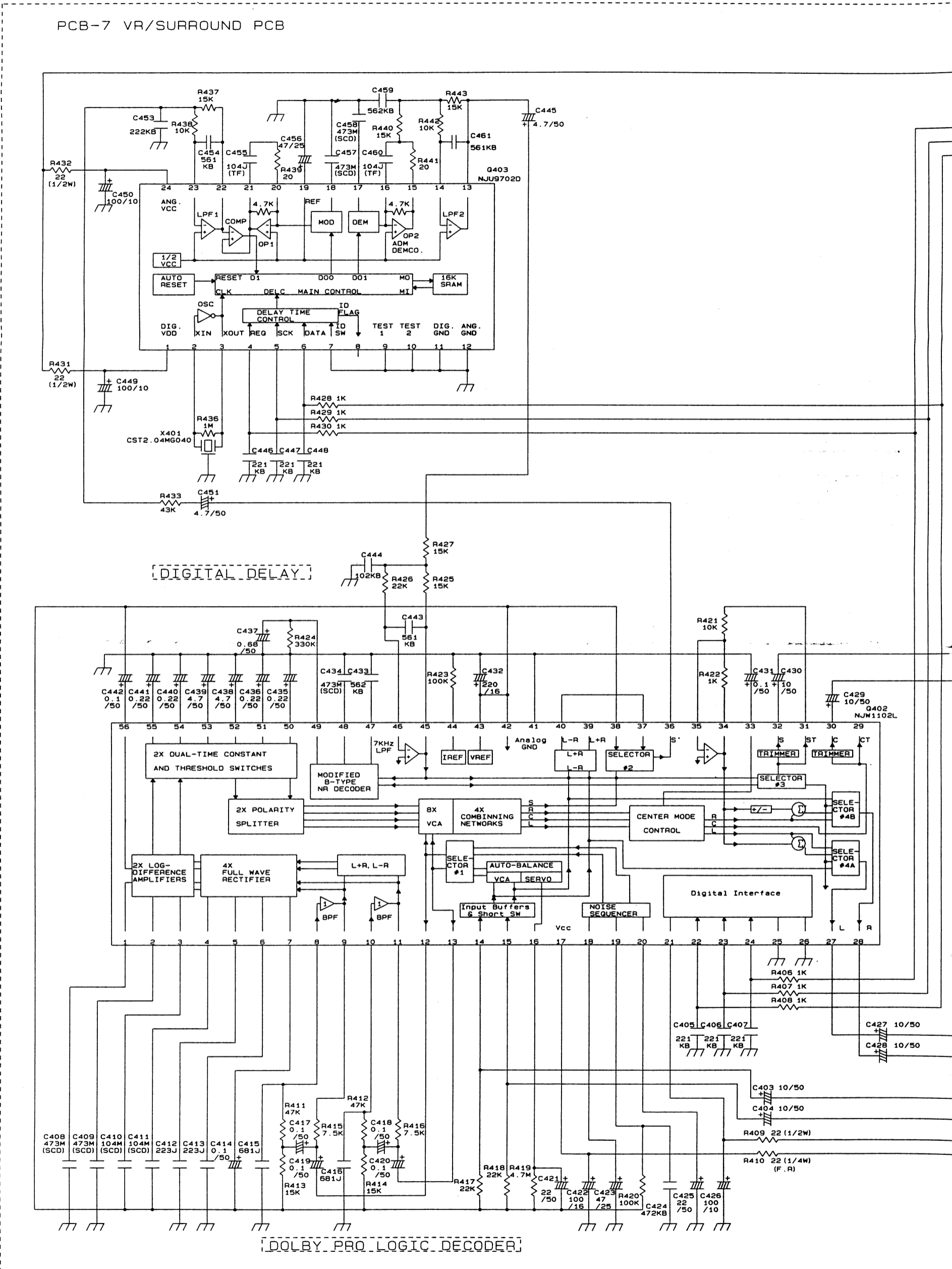
Ce symbole indique que le fusible utilise est a rapide. Pour une protection permanente, n'utiliser que des fusibles de meme type. Ce dernier est indique la que le present symbol est adosse

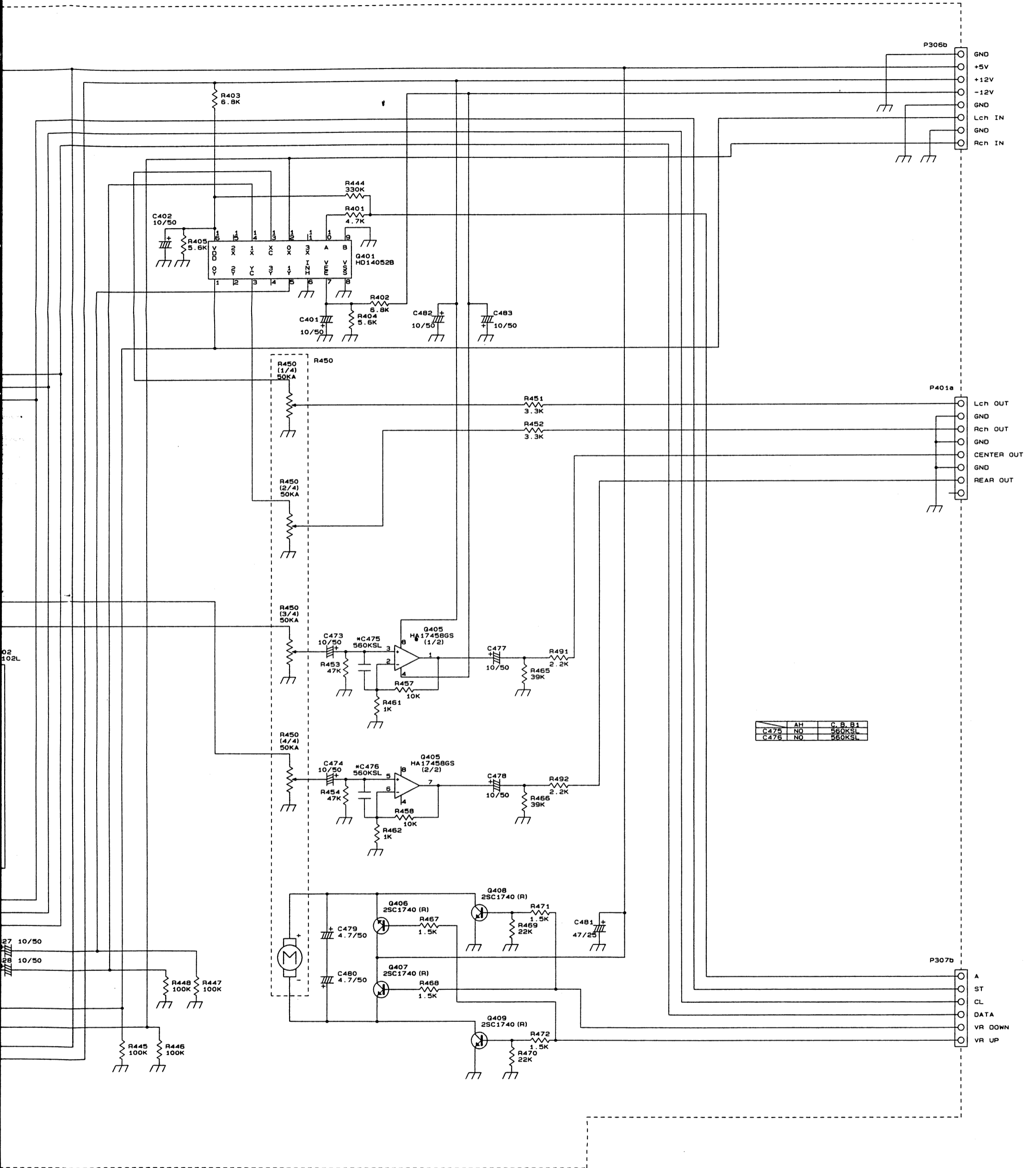
F	AH	C	B	B1
F901	2A	T2	3AL	
F902	2A	T2	3AL	
F903	8A	T5	3AL	
F904	8A	T5	3AL	
F905	YES	NO		
D903	RSC1740R	2SD1406Y		
R901	YES	NO		
R915	1K	12K		
C663	NO	221KB		

A B C D E

SCHEMATIC DIAGRAMS (4/6)

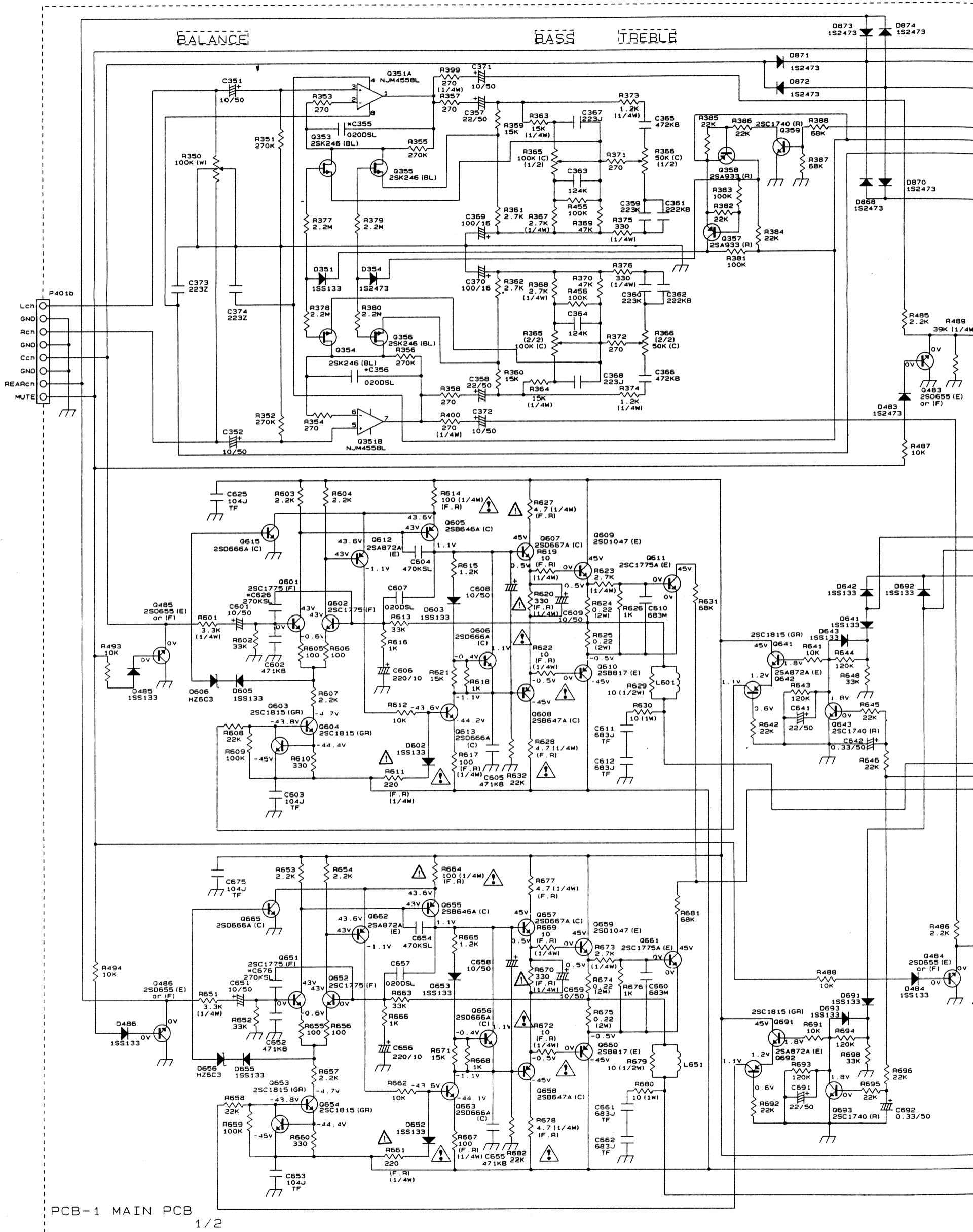
1
2
3
4
5
6
7
8





	AH	C, B, B1
C475	NO	560KSL
C476	NO	560KSL

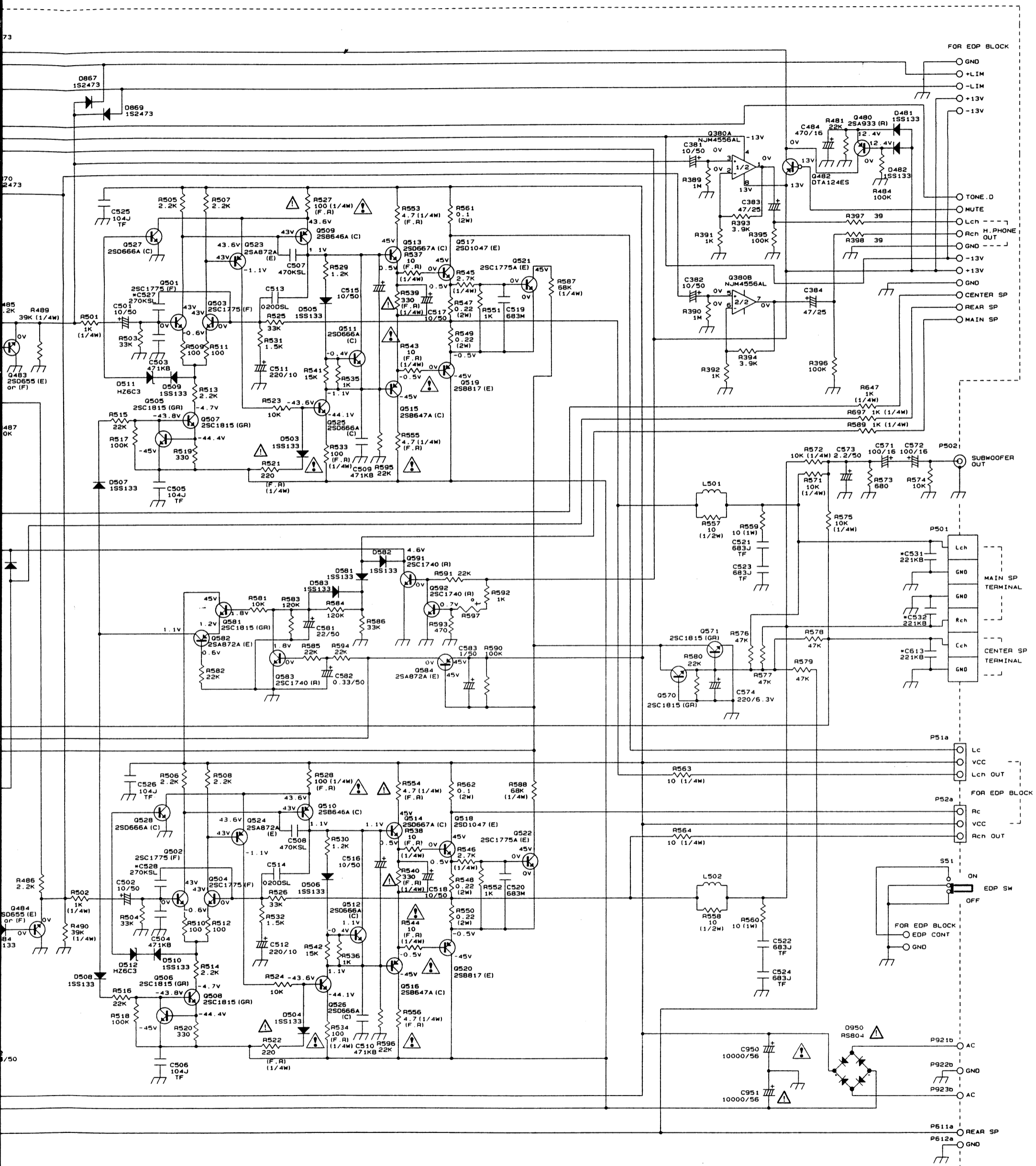
SCHEMATIC DIAGRAMS (5/6)



PCB-1 MAIN PCB

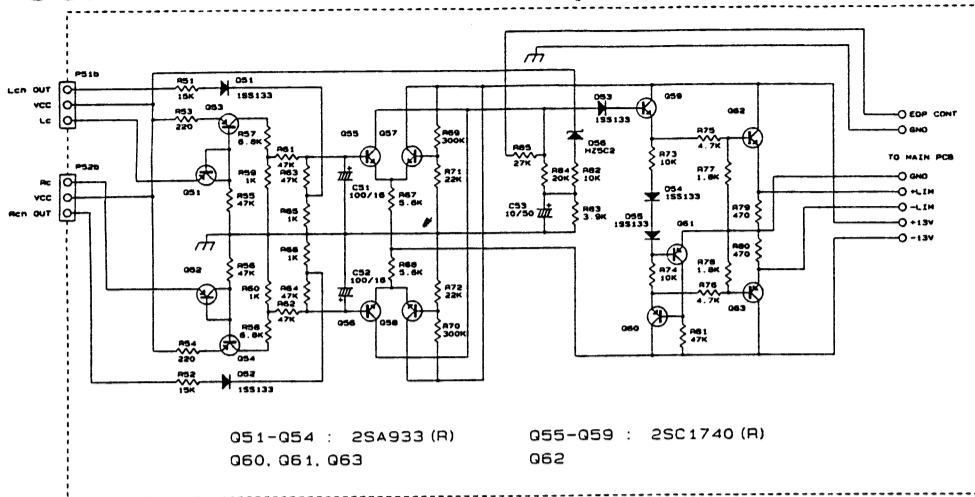
1/2

1
2
3
4
5
6
7
8

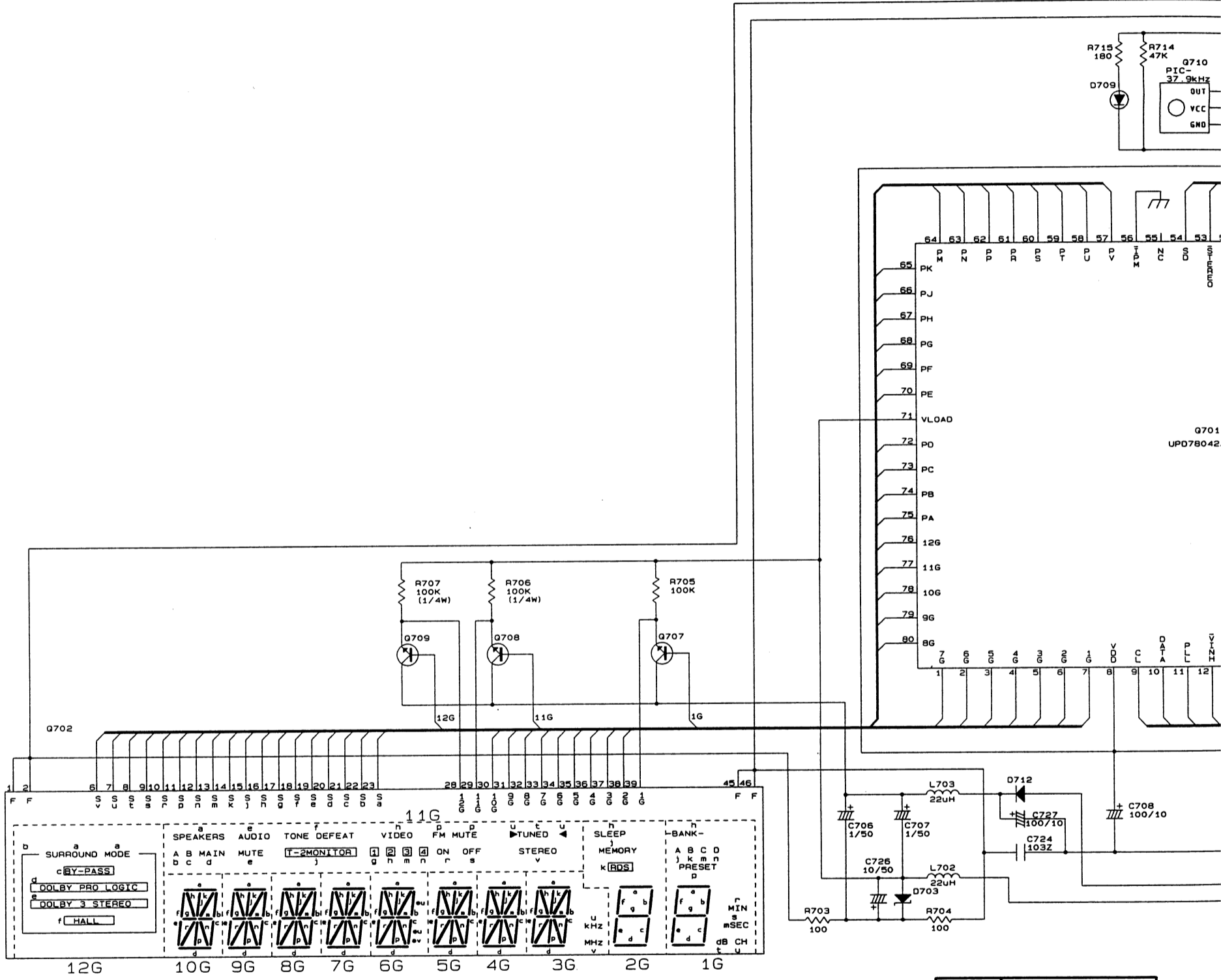


- NOTE:
1. ALL RESISTANCES VALUES ARE IN ohm. EX (K=1000 ohm), M=1000 (kohm)
 2. THE WATTAGE OF RESISTORS IS 1/6W UNLESS OTHERWISE NOTED.
 3. ELECTROLYTIC CAPACITORS () ARE IN uF/V.
 4. ALL CAPACITORS ARE IN pF/50V UNLESS OTHERWISE NOTED. EX (30pF=0.30, 33pF=0.33, 330pF=0.33, 0.033uF=333)
 5. SAFETY REQUIREMENTS COMPONENTS IN ACCORDANCE WITH PRESENT SAFETY REGULATIONS. THESE COMPONENTS MUST ONLY BE REPLACED BY ORIGINAL PARTS.

SCHEMATIC DIAGRAMS (6/6)

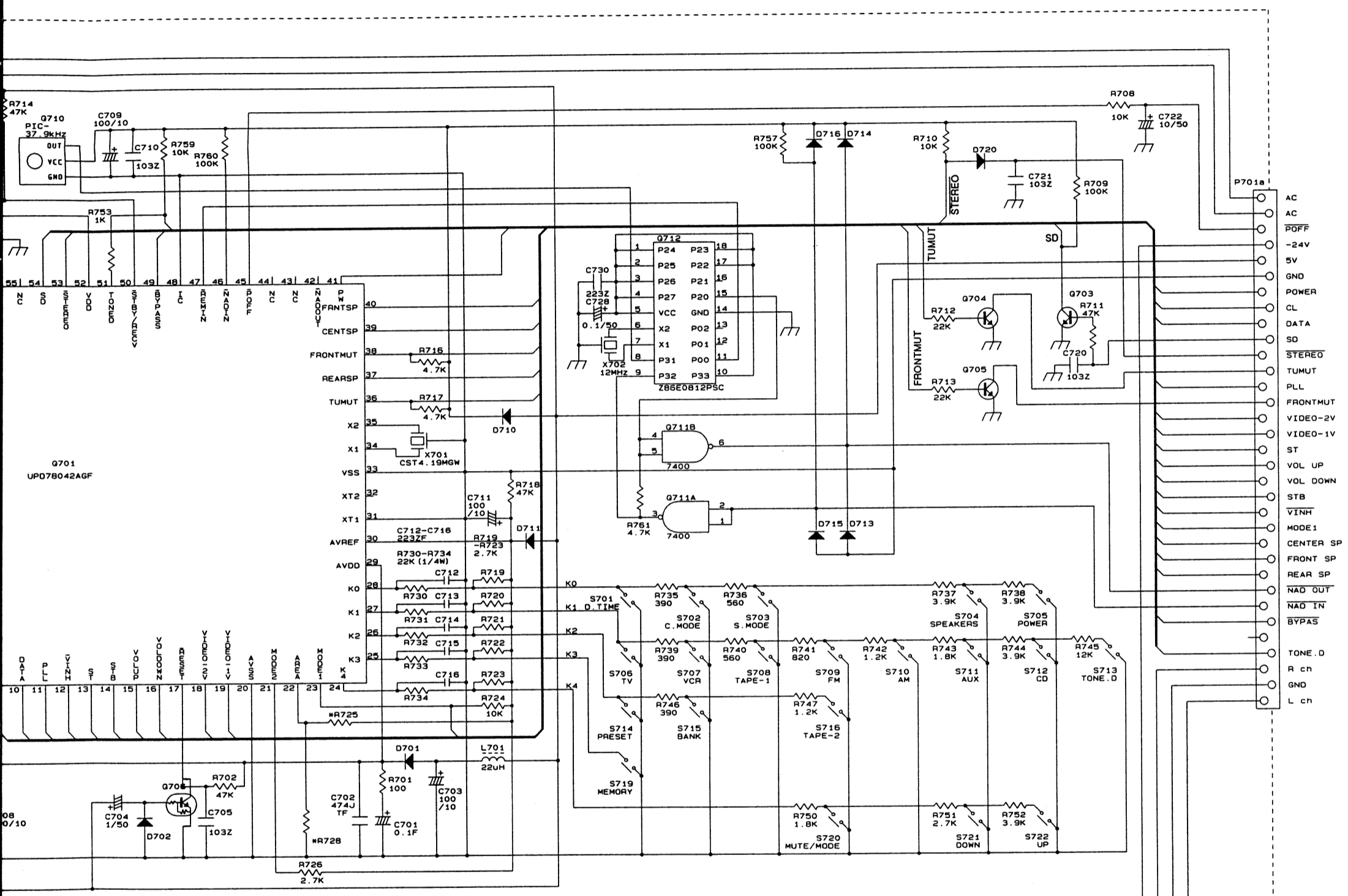


PCB-6 FRONT PCB

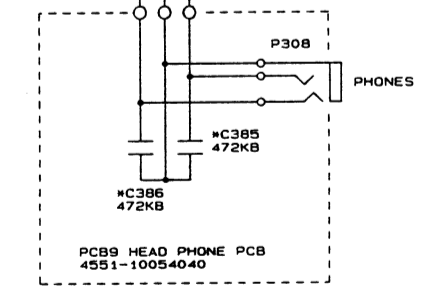


		TYPE	
R725	2.7K	NO	C. B. B1
R728	NO	22K	

Q70
Q70



- Q701 : MPD78042AGF-085
- Q702 : FIP13QMB
- Q703-Q705. : 2SC1740 (R)
- Q707-Q709
- Q706 : DTC124ES
- D701, D702. : 1SS133
- D712-D716, D720
- D710, D711 : 1S2473
- D703 : HZ9C1
- D709 : SLR332PT

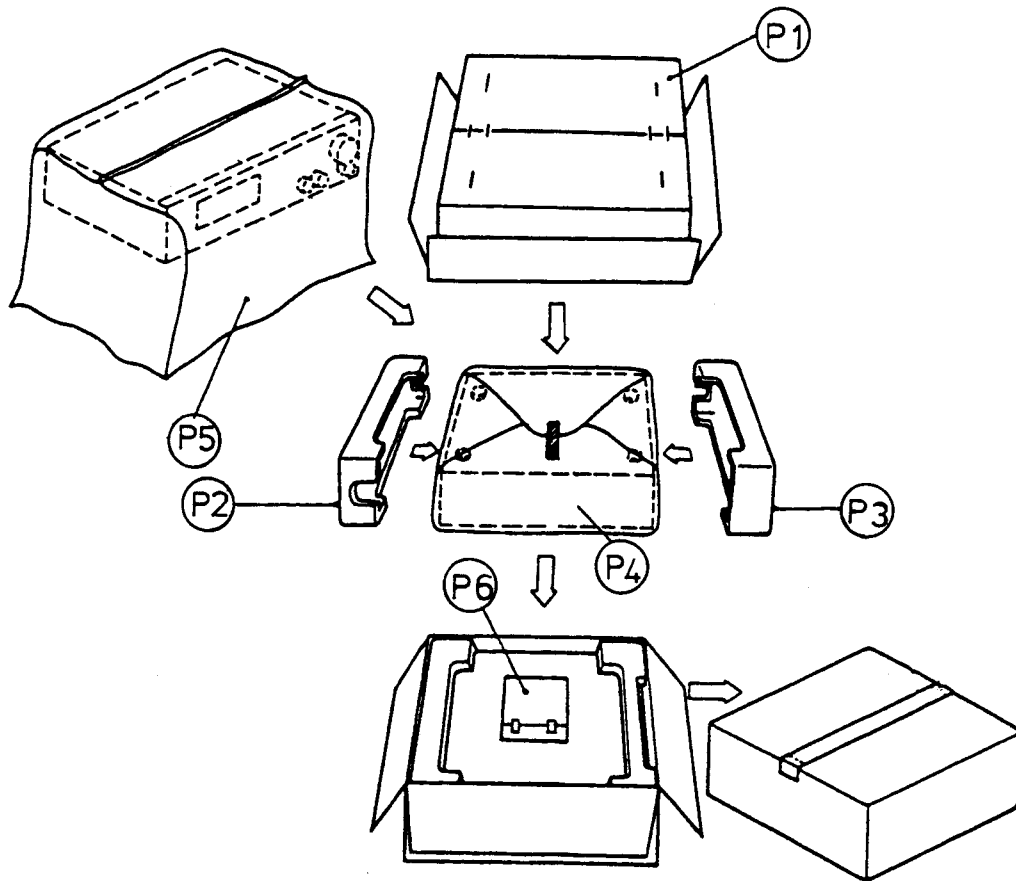


		TYPE		
		AH	B	B1, C
C385, 386		NO	YES	

PACKING VIEW

REF. NO.	PART NO.	DESCRIPTION
P1	1221-36503	Carton Box
P2	1222-1319	Cushion, R
P3	1222-1320	Cushion, L
P4	1223-R0220055	Soft Sheet, FRONT PANEL
P5	1241-R0160601	Polyethylene Bag, SET
P6		Accessory bag ass'y
P6-1	1111-2280MCB1	Owner Guide, IB
P6-2	1241-R0123351	Polyethylene Bag, IB
P6-3	6142-08801	Infrared Remote Control Ass'y
P6-4	1135-00301	Accessory Battery, UM-3E (2S)
P6-5	1397-017	FM Feeder Antenna <AH>
P6-6	1397-020	FM Feeder Antenna <C><B1>
P6-7	5911-278	Ferrite Bar Antenna, (AM Loop ant.)

NOTE: <AH> : U.S.A., Canadian model only
 : U.K. model only
 <B1> : Australian model only
 <C> : European model only



NOTES :

Proprietary information for servicing purposes only.
 The information herein may not be used commercially without the prior written agreement of NAD Electronics LTD, London, England.